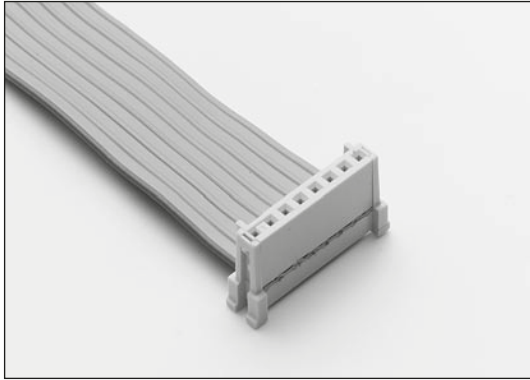




Single Row Polarised ID.Sockets and Headers

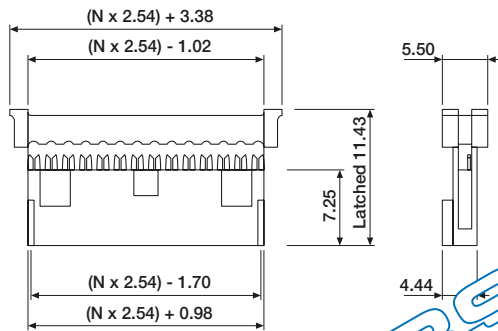
For 2.54mm Ribbon Cable



This fully polarised socket allows a fast and reliable ID connection with 2.54mm ribbon cable AWG 26-28. Notching of cable is not necessary. Connectors can be used for daisy-chain applications.

Material : Glass-filled Polyester, UL 94V-0
Contacts : Copper Alloy
Plating : Selective Gold over Nickel
Colour : Light Grey
Electrical : See Chapter 15

■ ID socket, AWG 26-28

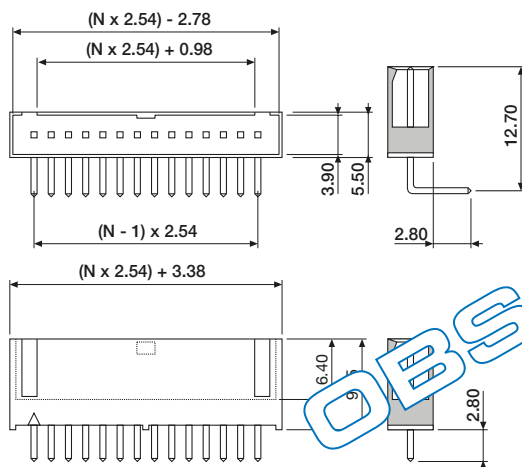


ORDERING INFORMATION

ESP-37BK-0070 socket
available circuit sizes:
08, 14, 16, 18, 20, 24

Contact sales office for availability of tin plated products. (M.O.Q.)

■ Header, single row, polarised



ORDERING INFORMATION

EHS-XYDS-0070 header, straight
EHS-XYDS-1070 header, right angle
available circuit sizes:
08, 14, 16, 18, 20, 24

Contact sales office for availability of tin plated products. (M.O.Q.)

PCB Hole Size = Ø0.90/1.10mm