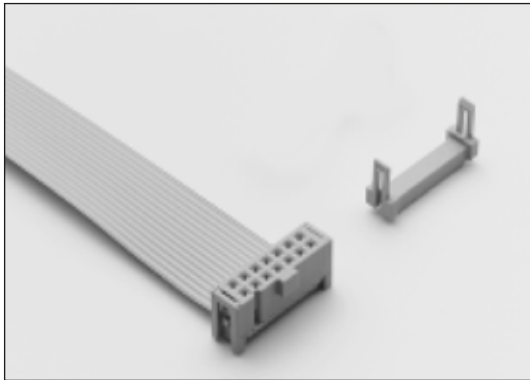




ID Socket Connectors DIN 41651

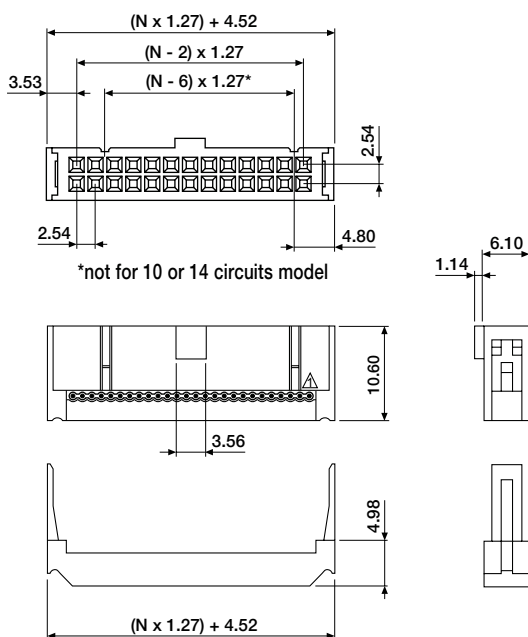
For 1.27mm Ribbon Cable



Socket connectors interconnect with shrouded, unshrouded and boxed headers. Polarisation is by centre bump. Connectors are suitable for stranded and solid conductors AWG 26-28.

Material : Glass-filled PBT, UL 94V-0
Contacts : Copper Alloy
Plating : See ordering information
Colour : Light Grey
Electrical : See Chapter 15

■ Socket with centre bump



ORDERING INFORMATION

SOK-XXBK-0070 socket connector selective gold plated
SOK-XXBK-9000 strain relief

available circuit sizes:
10, 14, 16, 20, 26, 34, 40, 50,
60, 64

SOK-00BK-8000 polarising peg

Connectors are supplied pre-assembled to reduce production costs.