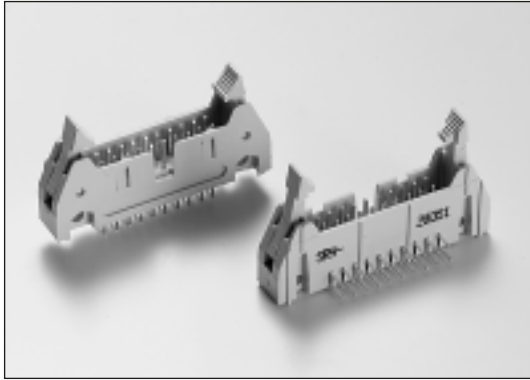




Shrouded Headers DIN 41651

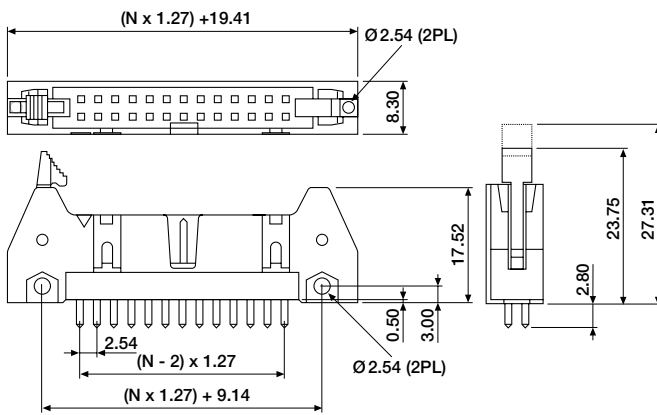
With Optional Ejectors



Shrouded headers interconnect with ID sockets. Headers are available in straight and right angle versions. These fully shrouded headers can be supplied with short or long ejectors. Solder tails are specially shaped to fit smaller PCB holes.

Material : Glass-filled Polyester, UL 94V-0
Contacts : Phosphor Bronze
Plating : Selective Gold over Nickel
Colour : Light Grey
Electrical : See Chapter 15

■ Shrouded header, straight

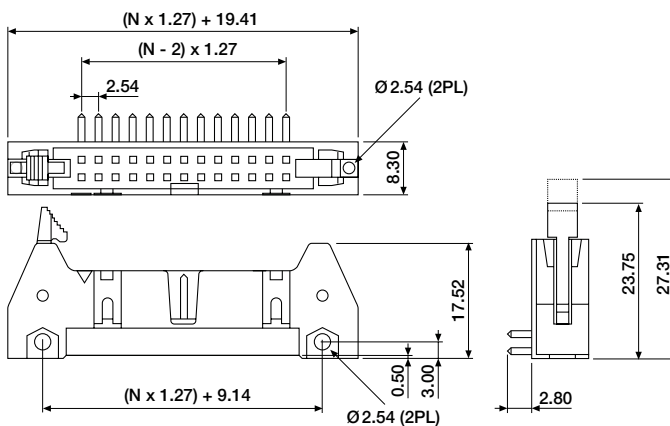


ORDERING INFORMATION

SRH-XXDS-0070 without ejectors
SRH-XXDS-0170 with short ejectors
SRH-XXDS-0270 with long ejectors

available circuit sizes:
10, 14, 16, 20, 26, 34, 40, 50, 60

■ Shrouded header, right angle

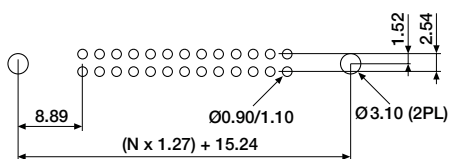


ORDERING INFORMATION

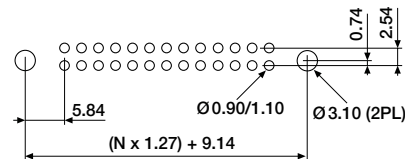
SRH-XXDS-1070 without ejectors
SRH-XXDS-1170 with short ejectors
SRH-XXDS-1270 with long ejectors

available circuit sizes:
10, 14, 16, 20, 26, 34, 40, 50, 60

■ PCB layouts



Straight



Right Angle