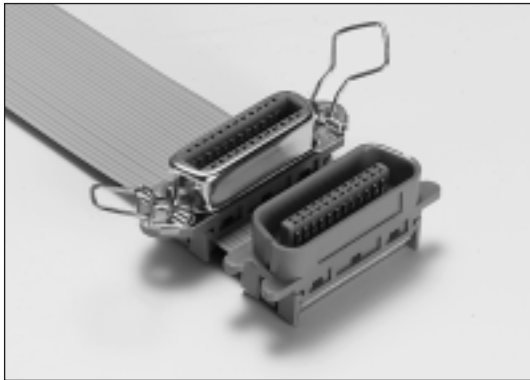




# ID Micro-Ribbon Connectors (Centronics)

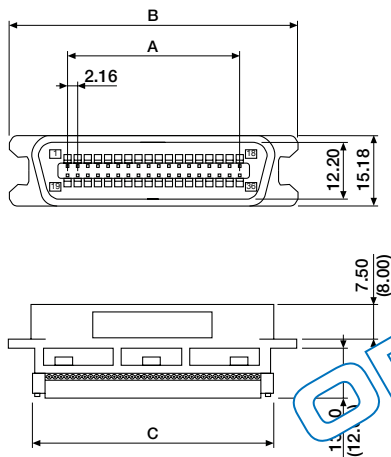
## For 1.27mm Ribbon Cable



Full range of ID micro-ribbon connectors in plastic with/without metal shell for complete RFI/EMI shielding. Male and female connectors can be locked together by the metal locking clip (standard).

Material : Glass-filled Polyester, UL 94V-0  
Contacts : Phosphor Bronze  
Plating : Gold Flash over Nickel  
Colour : Blue  
Electrical : See Chapter 15

### ■ Male connector



Dimensions between brackets are for the metal shell models.

#### ORDERING INFORMATION

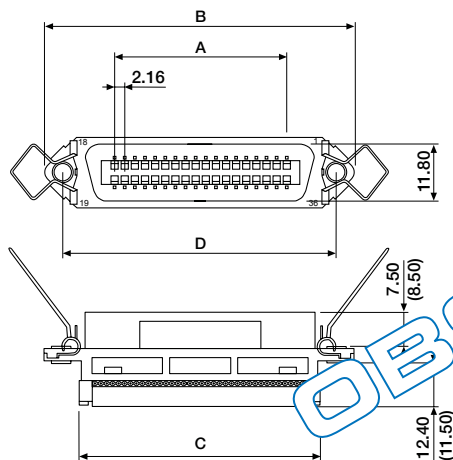
**MRM-XXBK-1009** plastic  
**MRM-XXBK-1059** plastic with metal shell  
available circuit sizes:  
14, 24, 36, 50

#### DIMENSIONS

Circuit Size	A	B	C
14	12.96	37.80	22.85
24	23.76	48.60	35.85
36	36.72	61.60	50.70
50	51.84	76.70	68.57

All models will be supplied including strain relief.  
(not drawn)

### ■ Female connector



Dimensions between brackets are for the metal shell models.

#### ORDERING INFORMATION

**MRF-XXBK-1009** plastic  
**MRF-XXBK-1059** plastic with metal shell  
available circuit sizes:  
14, 24, 36, 50

#### DIMENSIONS

Circuit Size	A	B	C	D
14	12.96	37.80	22.85	36.00
24	23.76	48.60	35.85	46.78
36	36.72	61.60	50.70	59.74
50	51.84	76.70	68.57	74.85

All models will be supplied including strain relief.  
(not drawn)