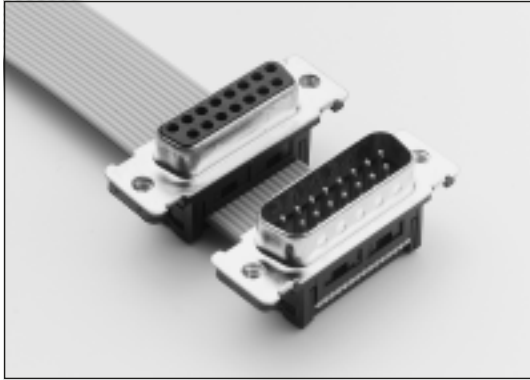




ID D-Connectors, 09 to 50 Circuits

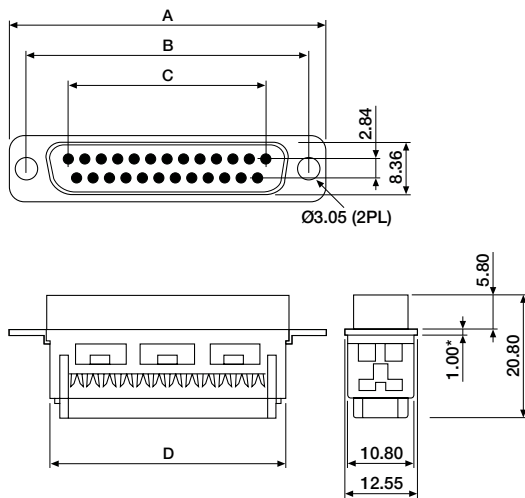
For 1.27mm Ribbon Cable



A range of male and female industry standard equipment interface ID connectors which enable mass termination to 1.27mm pitch flat cable. All models have a tin plated metal shell. For D-connector accessories see chapter 2.

- Material : Glass/filled PBT, UL 94V-0
Steel, Tin over Nickel
- Contacts : Phosphor Bronze
- Plating : Gold Flash over Nickel
- Colour : Black
- Electrical : See Chapter 15

Male, metal shell (09 to 37 circuits)



*Dimension will be approximately 2.60mm if supplied with thread.

ORDERING INFORMATION

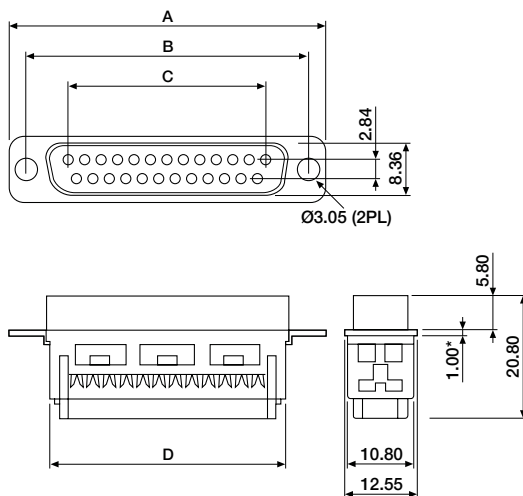
- DKM-XXBK-1059 metal shell
 - DKM-XXBK-1159 metal shell with UNC 4-40 thread
- available circuit sizes:
09, 15, 25, 37

DIMENSIONS

Circuit Size	A	B	C	D
09	30.80	24.99	11.08	16.10
15	39.10	33.32	19.39	24.00
25	53.09	47.04	33.24	38.14
37	69.40	63.50	49.86	54.60

All models will be supplied including strain relief. (not drawn)

Female, metal shell (09 to 37 circuits)



*Dimension will be approximately 2.60mm if supplied with thread.

ORDERING INFORMATION

- DKF-XXBK-1059 metal shell
 - DKF-XXBK-1159 metal shell with UNC 4-40 thread
- available circuit sizes:
09, 15, 25, 37

DIMENSIONS

Circuit Size	A	B	C	D
09	30.80	24.99	11.08	16.10
15	39.10	33.32	19.39	24.00
25	53.09	47.04	33.24	38.14
37	69.40	63.50	49.86	54.60

All models will be supplied including strain relief. (not drawn)