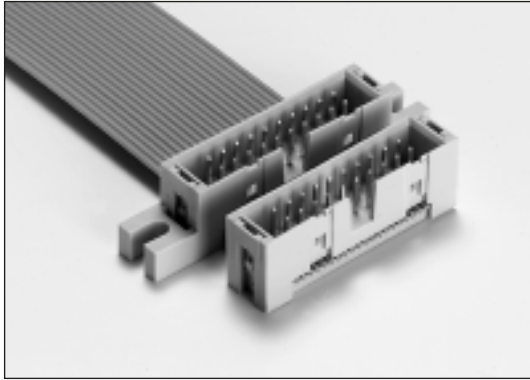




ID Dual Row Plug Connectors

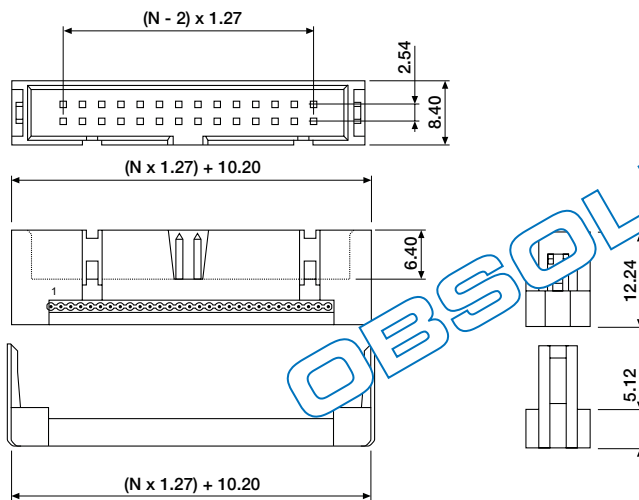
For 1.27mm Ribbon Cable



Interconnects with ID sockets and with PCB mounted socket. This connector mates with the insulation displacement socket connectors. It is available with or without mounting lugs for fixed or free hanging applications and features a feed through cover style for daisy chain applications. ID plug connectors can be supplied with a strain relief clamp.

Material : Thermoplastic Polyester, UL 94V-0
Contacts : Phosphor Bronze
Plating : Selective Gold over Nickel
Colour : Light Grey
Electrical : See Chapter 15

■ Dual row plug connector without mounting ears



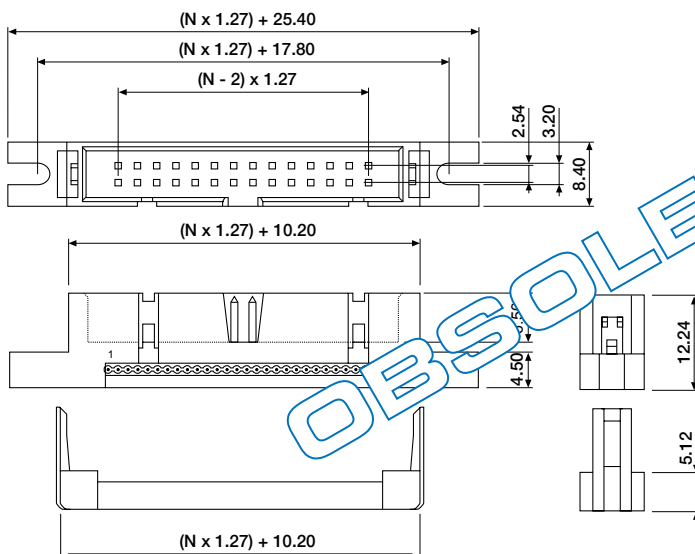
ORDERING INFORMATION

DRP-XXBK-0000
DRP-XXBK-9000

plug connector
strain relief

available circuit sizes:
10, 14, 16, 20, 26, 34, 40, 50
60, 64

■ Dual row plug connector with mounting ears



ORDERING INFORMATION

DRP-XXBK-1000
DRP-XXBK-9000

plug connector
strain relief

available circuit sizes:
10, 14, 16, 20, 26, 34, 40, 50
60, 64