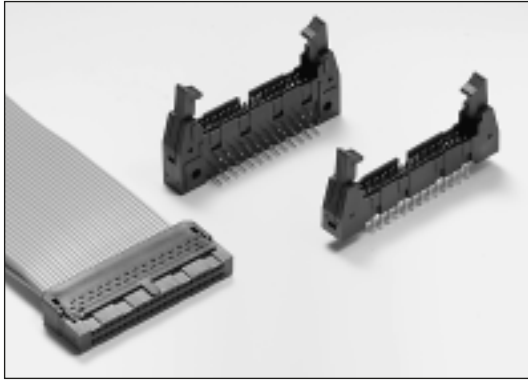




ID High Density Socket Connectors & Shrouded Headers

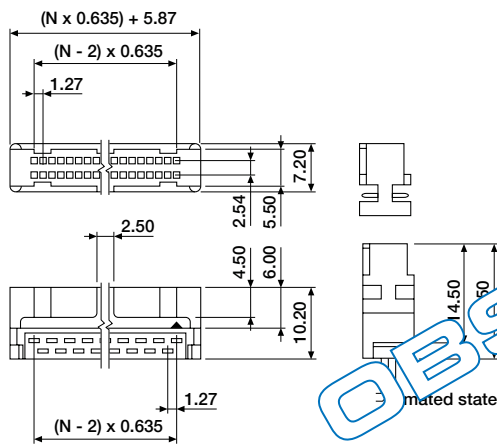
For 1.27mm Ribbon Cable



These high density ID socket connectors and headers, with a contact spacing of 1.27mm, are ideal for use in board to cable applications where board space is limited. The use of standard 1.27mm ribbon cable is possible because both sides of the connectors are terminated. The cable outlet is in line with the connector.

Material : Glass-filled PBT, UL 94V-0
Contacts : Phosphor Bronze
Plating : Gold or Selective Gold over Nickel
Colour : Black
Electrical : See Chapter 15

■ High density socket connector

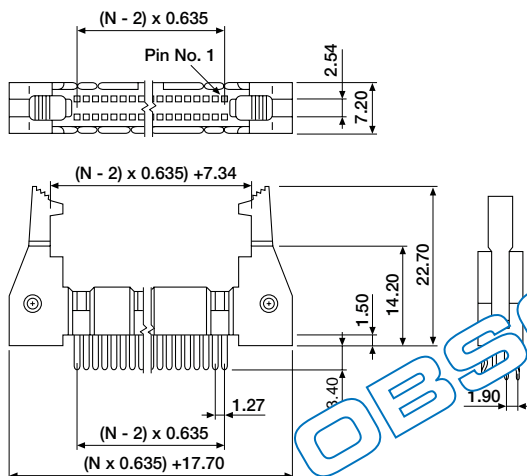


ORDERING INFORMATION

HSK-XX3K-0020 gold plated
available circuit sizes:
20, 26, 30, 34, 40, 50, 52, 60, 68, 80
A0 (100)

Note:
These connectors must be assembled using the manufactures tools.

■ High density shrouded header, straight



ORDERING INFORMATION

HSH-XXDS-0070 selective gold plated
available circuit sizes:
20, 26, 30, 34, 40, 50, 52, 60, 68, 80
A0 (100)

HSH-00DS-7000 polarising key

Contact sales office for detailed PCB layout.

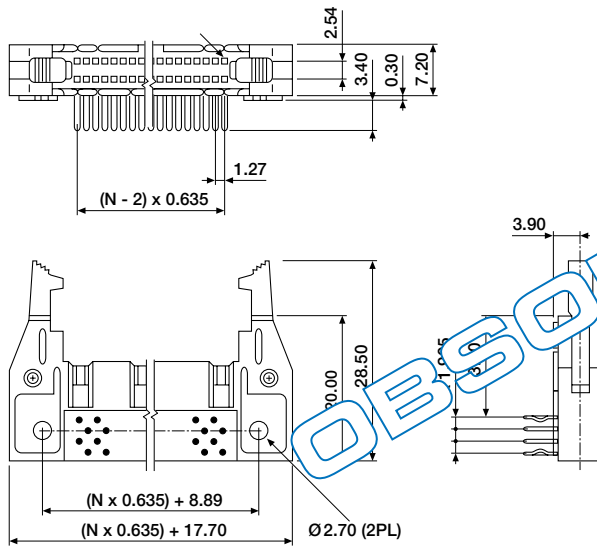
Corner terminals have kinked tails for better PCB retention.
PCB Hole Size = Ø0.80mm



ID High Density Socket Connectors & Shrouded Headers

For 1.27mm Ribbon Cable

■ High density shrouded header, right angle



ORDERING INFORMATION

- HSH-XXDS-1070** selective gold plated
- available circuit sizes:
20, 26, 34, 40, 50, 52, 60, 68, 80,
A0 (100)
- HSH-00DS-7000** polarising key
- Contact sales office for detailed PCB layout.

Corner terminals have kinked tails for better PCB retention.
PCB Hole Size = Ø0.80mm