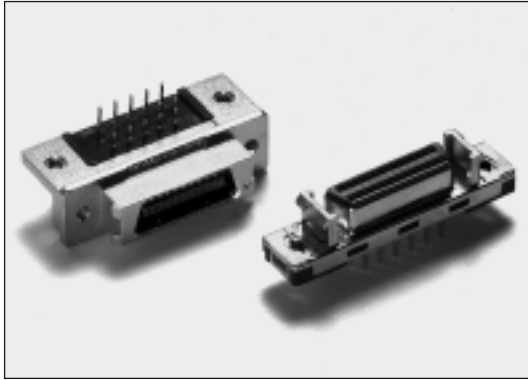




High Density SCSI-II Connectors

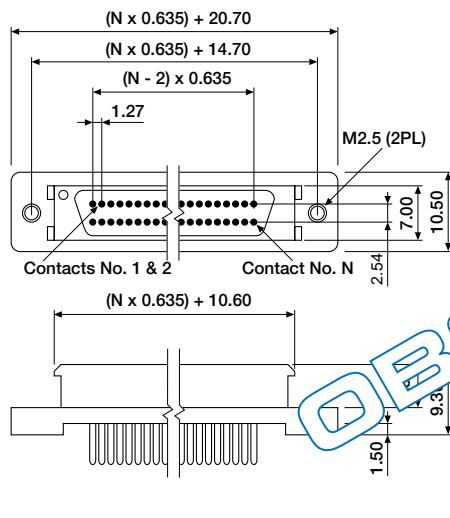
PCB Models



These HHM and HHF series PCB connectors are high density connectors with 1.27mm contact spacing to meet the need of connection in miniaturised electronic equipment. Pin and socket contact design allows a low insertion and extraction force. Designed to prevent EMI in addition to FFC. Some models are also available with a bellows type contact.

Material : Glass-filled PBT, UL 94V-0
Housing : Zinc Die Cast
Shell : Tin Plated Copper
Contacts : Phosphor Bronze
Plating : Selective Gold over Nickel
Electrical : See Chapter 15

■ PCB connector, male, straight with locking latches



ORDERING INFORMATION

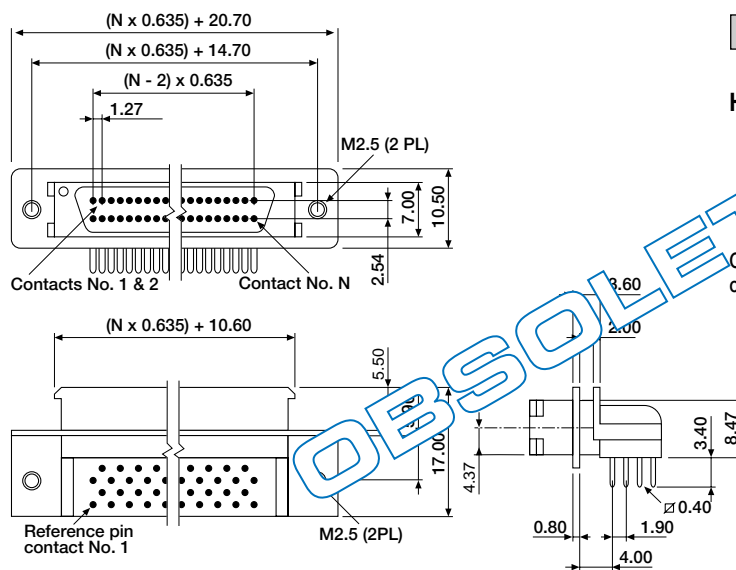
HHM-XXPS-0270

available circuit sizes:
50, 68

Contact sales office for detailed PCB layout and availability of other circuit sizes.

PCB Hole Size = Ø0.80mm

■ PCB connector, male, right-angle with locking latches



ORDERING INFORMATION

HHM-XXDS-1270

available circuit sizes:
50, 68

Contact sales office for detailed PCB layout and availability of other circuit sizes.

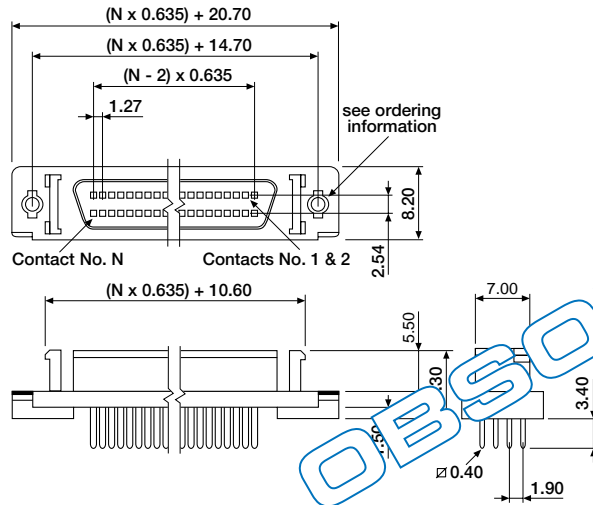
PCB Hole Size = Ø0.80mm



High Density SCSI-II Connectors

PCB Models

■ PCB connector, female, straight with locking latches



ORDERING INFORMATION

HHF-XXDS-027X

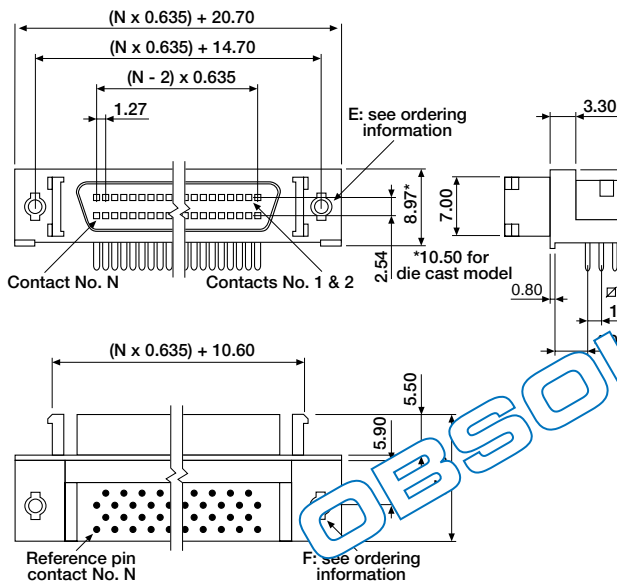
- 0 = M2.5
- 1 = 4-40 UNC
- 2 = 2-56 UNC

available circuit sizes:
50, 68

Contact sales office for detailed PCB layout and availability of other circuit sizes.

PCB Hole Size = Ø0.80mm

■ PCB female connector, right-angle, dual port with locking latches



ORDERING INFORMATION

HHF-XXDS-137X

die cast

- 0 for E = M2.5, F = Ø2.80
- 1 for E = 4-40 UNC, F = Ø3.05
- 2 for E = 2-56 UNC, F = Ø2.50
- 5 for E = M2.5, F = board lock
- 6 for E = 4-40 UNC, F = board lock
- 7 for E = 2-56 UNC, F = board lock

available circuit sizes:
50, 68

Contact sales office for detailed PCB layout and availability of other circuit sizes and surface mount models.

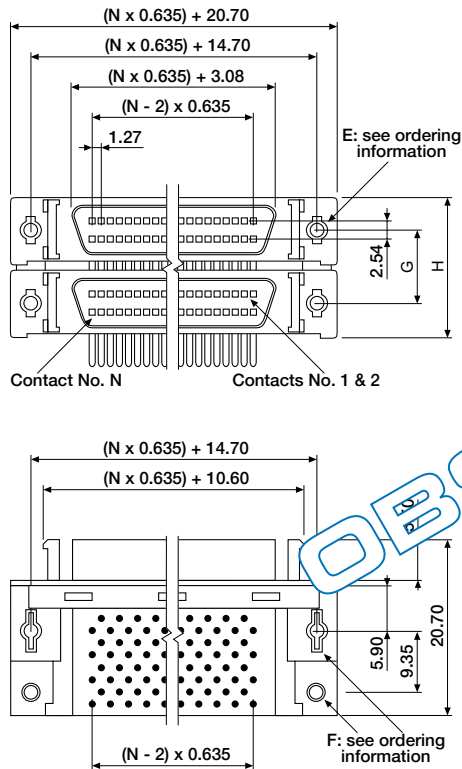
PCB Hole Size = Ø0.80mm



High Density SCSI-II Connectors

PCB Models

■ PCB female connector, right-angle, dual port with locking latches



ORDERING INFORMATION

HHF-XXDS-327X	G = 10.54, H = 19.11
HHF-XXDS-527X	G = 11.50, H = 20.07
HHF-XXDS-727X	G = 15.00, H = 23.57

- 0 for E = M2.5, F = Ø 2.80 (4PL)
- 1 for E = 4-40 UNC, F = Ø 3.05 (4PL)
- 2 for E = 2-56 UNC, F = Ø 2.50 (4PL)
- 5 for E = M2.5, F = board lock
- 6 for E = 4-40 UNC, F = board lock
- 7 for E = 2.56 UNC, F = board lock

available circuit sizes:
50, 68

Contact sales office for detailed PCB layout.

PCB Hole Size = Ø0.80mm
PCB Hole Size for board locks = Ø2.80mm