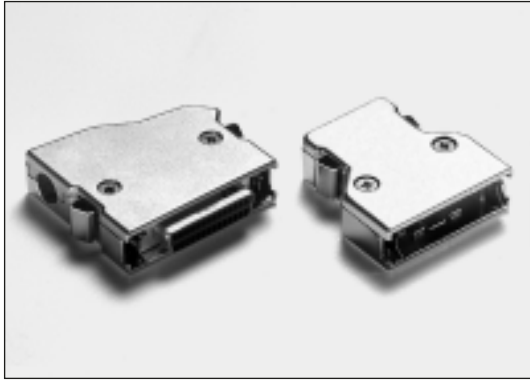




# Hoods for High Density SCSI-II Connectors

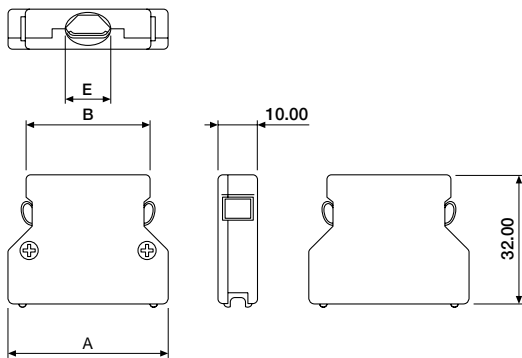
## Full Metal (Die Cast)



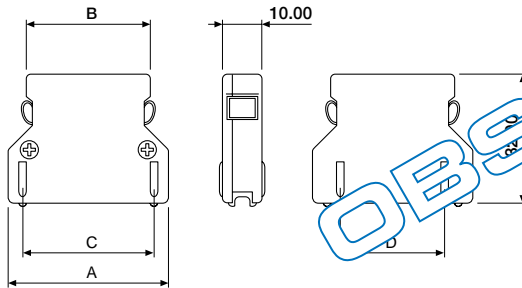
A full range of die cast connector hoods for HHM and HHF connectors. All connector hoods are positive locked with the opposite connector if equipped with locking latches. Some models are available with a key coding system and some models are available in plastic.

Material : Zinc Die Cast (full metal models)  
Glass-filled PBT, UL 94V-0 (plastic models)

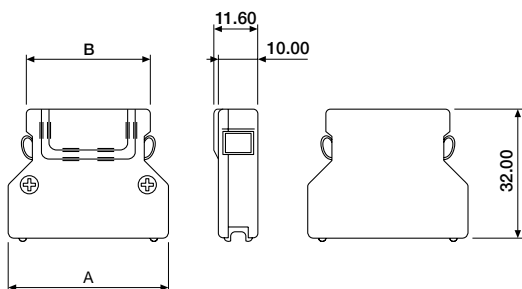
### ■ Die cast hood with straight cable outlet



Model 105X



Model 115X



Model 125X

### ORDERING INFORMATION

HHH-XXGP-105X standard  
HHH-XXGP-115X with insertion guides  
HHH-XXGP-125X with enlarged cable entrance  
model No. (see dimension chart)  
available circuit sizes:  
20, 50, 68

### DIMENSIONS

Circuit	B	C	D	E	Model No.
20	30.00	20.30	-	-	6.00 x 5.00 1050
20	30.00	20.30	-	-	8.00 x 7.00 1051
20	30.00	20.30	-	-	10.30 x 8.50 1052
50	48.90	39.20	-	-	8.50 x 7.00 1050
50	48.90	39.20	42.00	39.00	8.50 x 7.00 1150
50	48.90	39.20	-	-	10.00 x 9.50 1250
50	48.90	39.20	-	-	10.00 x 10.00 1251
68	60.30	50.60	-	-	8.50 x 7.50 1050

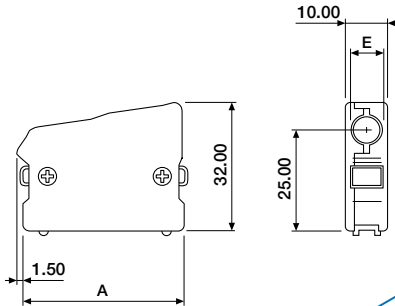
OBSOLETE



# Hoods for High Density SCSI-II Connectors

## Full Metal (Die Cast)

### ■ Die cast hood for standard cable, 90° cable outlet



#### ORDERING INFORMATION

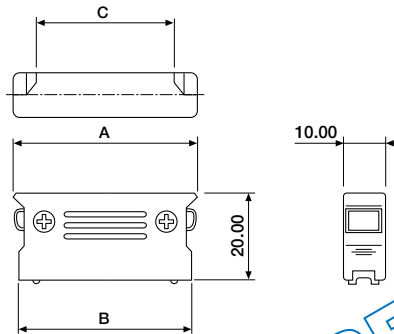
HHK-3P-3050

available circuit sizes:  
20, 50

#### DIMENSIONS

Circuit size	A	E
20	30.00	Ø5.50
50	48.90	Ø8.50

### ■ Plastic hood for ribbon cable



#### ORDERING INFORMATION

HHK-RX-0000

available circuit sizes:  
20, 50

#### DIMENSIONS

Circuit Size	A	B	C
20	37.30	30.70	11.00
50	56.30	49.60	30.00