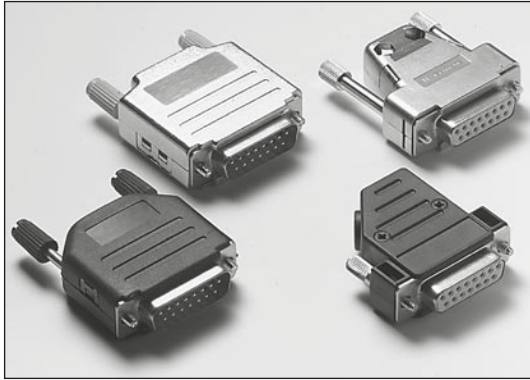




D-Connector Hoods

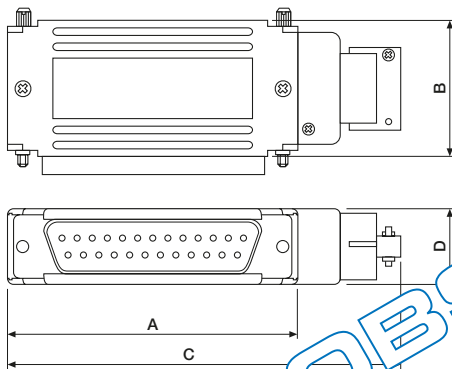
Plastic and Plastic Metalised



A full range of D-connector hoods for all kinds of cable connections to the D-connector; plastic, metalised plastic and full metal hoods in a wide range of variations with slide, clip or screw lock. Screw and hand screw lock models are always equipped with UNC 4-40 threads as standard.

For spare parts (subject to availability) see section "D-Connector Accessories"

■ Series 1000, 90° cable outlet



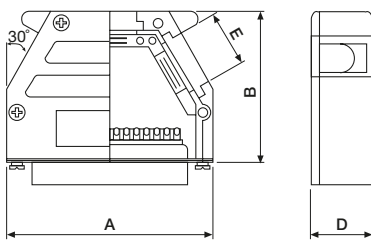
ORDERING INFORMATION

DKK-XXS-1052 plastic, metalised
available circuit sizes:
09, 15, 25, 37

DIMENSIONS

Circuit Size	A	B	C	D
09	33.00	28.50	59.00	17.20
15	41.50	28.50	69.50	17.20
25	55.00	28.50	81.00	17.20
37	71.50	28.50	97.50	17.20

■ Series 2000 (slide or clip lock), straight or 60° cable outlet



The 09 circuit housing has no top cable outlet.

ORDERING INFORMATION

DKK-XXPL -2040 plastic, black
DKK-XXPM-2040 plastic, metalised
available circuit sizes:
09, 15, 25, 37, 50

DIMENSIONS

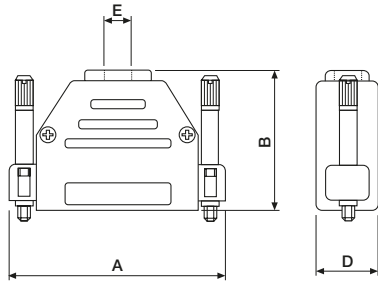
Circuit Size	A	B	D	ØE (max.)
09	31.00	40.00	15.40	9.00
15	39.30	40.00	15.40	9.00
25	53.20	40.00	15.40	11.00
37	69.50	40.00	15.40	11.00
50	67.00	40.00	17.90	12.00



D-Connector Hoods

Plastic and Plastic Metalised

■ Series 3000 (screw lock), straight cable outlet



ORDERING INFORMATION

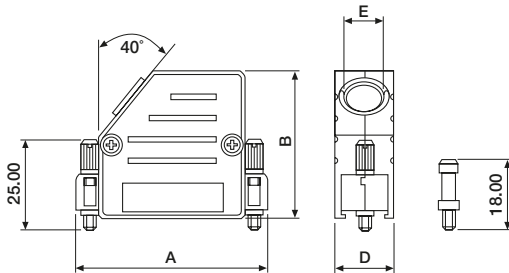
DKK-XXPL -3020 plastic, black
 DKK-XXPM-3020 plastic, metalised

available circuit sizes:
 09, 15, 25, 37, 50

DIMENSIONS

Circuit Size	A	B	D	ØE (max.)
09	31.50	31.00	15.20	8.50
15	40.00	35.00	15.20	8.50
25	53.50	38.00	15.20	11.00
37	70.00	40.00	15.20	11.00
50	67.50	40.00	18.20	12.00

■ Series 4000 (screw lock), 50° cable outlet



The 18.00mm lock screws are available on request. Change the last digit of the order number from '2' to '0'. (M.O.Q.)

ORDERING INFORMATION

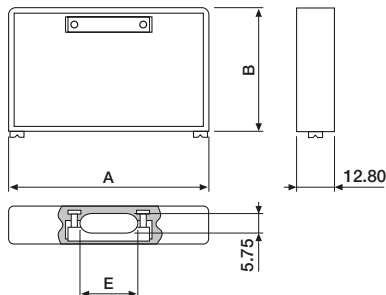
DKK-XXPL -4020 plastic, black
 DKK-XXPM-4020 plastic, metalised

available circuit sizes:
 09, 15, 25, 37, 50

DIMENSIONS

Circuit Size	A	B	D	ØE (max.)
09	31.30	37.00	15.25	8.50
15	39.70	37.00	15.25	8.50
25	53.50	41.00	15.25	11.00
37	69.90	41.00	15.25	11.00
50	67.70	41.00	18.25	12.00

■ Series 5000 (slide or clip lock)



One piece hood. Hood must be placed over the cable before assembling.

ORDERING INFORMATION

DKK-XXPL -5000 plastic, grey straight cable outlet

available circuit sizes:
 09, 15, 25, 37

DIMENSIONS

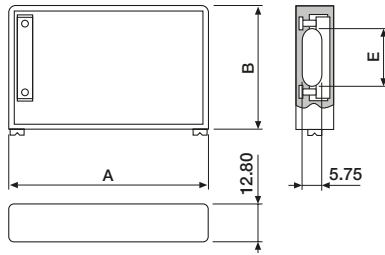
Circuit Size	A	B	ØE (min.)	ØE (max.)
09	31.00	23.00	5.75	9.00
15	39.40	28.00	5.75	9.00
25	53.30	39.00	5.75	9.00
37	69.70	43.00	5.75	9.00



D-Connector Hoods

Plastic and Plastic Metalised

■ Series 6000 (slide or clip lock)



One piece hood. Hood must be placed over the cable before assembling.

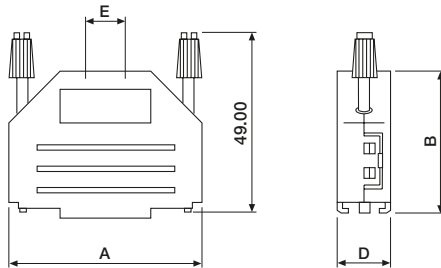
ORDERING INFORMATION

DKK-XXS-6000 plastic, grey 90° cable outlet
available circuit sizes:
09, 15, 25, 37

DIMENSIONS

Circuit Size	A	B	ØE (min.)	ØE (max.)
09	31.00	23.00	5.75	9.00
15	39.40	28.00	5.75	9.00
25	53.30	39.00	5.75	9.00
37	69.70	43.00	5.75	9.00

■ Series 7002 (screw lock), straight cable outlet



This hood is equipped with the unique 'one shell' snap together design for fast and reliable assembly and with the unique 'fit always' strain relief.

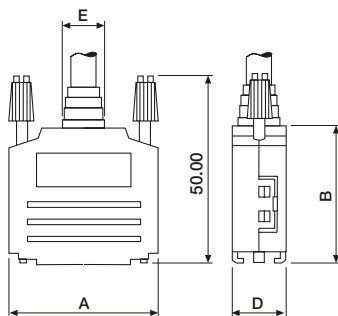
ORDERING INFORMATION

DKK-XXPL-7020 plastic, black
available circuit sizes:
09, 15, 25, 37, 50

DIMENSIONS

Circuit Size	A	B	D	ØE (max.)
09	31.50	34.00	15.00	8.20
15	40.00	34.00	15.00	11.40
25	53.50	40.00	15.00	11.40
37	71.00	40.00	16.00	11.40
50	67.50	40.00	19.00	13.60

■ Series 7052 (screw lock), straight cable outlet



These hoods are equipped with the unique 'fit always' strain relief. The metalised models are supplied with the cut away cable grommet.

ORDERING INFORMATION

DKK-XXPM-7020 plastic, metalised
available circuit sizes:
09, 15, 25, 37

HGS-23MH-1000 cutting tool for cable grommet

DIMENSIONS

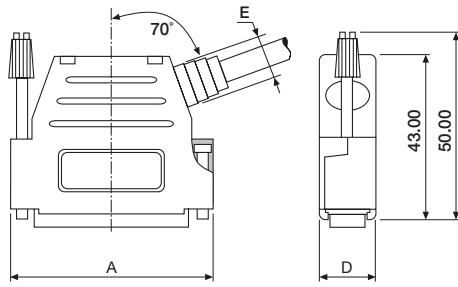
Circuit Size	A	B	D	ØE (max.)
09	32.50	38.00	15.00	8.20
15	41.00	38.00	15.00	11.20
25	54.50	40.00	15.00	11.20
37	71.00	40.00	15.00	11.20



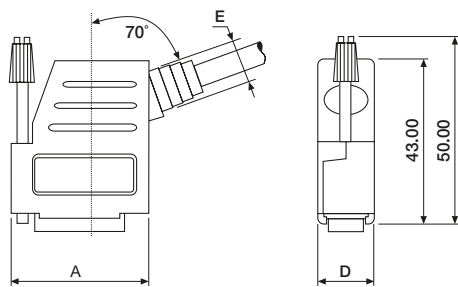
D-Connector Hoods

Plastic and Plastic Metalised

■ Series 7100, 7200 & 7300 (screw lock), straight and/or 70° cable outlet



15 to 25 circuits



09 circuits



These hoods are equipped with the unique "fit always" strain relief. The metalised models are supplied with the cut away cable grommet. The 09 circuits hood has only one hand locking screw.

ORDERING INFORMATION

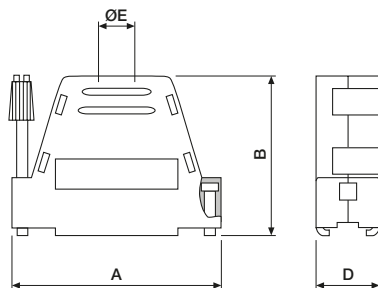
DKK-XXPL -7620	plastic, 70° outlet
DKK-XXPM -7620	plastic, metalised, 70° outlet
DKK-XXPL -7520	plastic, straight outlet
DKK-XXPM -7520	plastic, metalised, straight outlet
DKK-XXPL -7720	plastic, straight and 70° outlet
DKK-XXPM -7720	plastic, metalised, straight and 70° outlet
	available circuit sizes: 09, 15, 25

HGS-00KG-1000

DIMENSIONS

Circuit Size	A	D	ØE (max.)
09	30.00	15.00	8.20
15	40.00	15.00	11.20
25	53.50	15.00	11.20

■ Series 8000 (screw lock), straight cable outlet



ORDERING INFORMATION

DKK-XXPL -8000	plastic, black
DKK-XXPL -8020	plastic, black with hand lock screws
DKK-XXPM -8000	plastic, metalised
DKK-XXPM -8020	plastic, metalised with hand lock screws
	available circuit sizes: 09, 15, 25, 37

DIMENSIONS

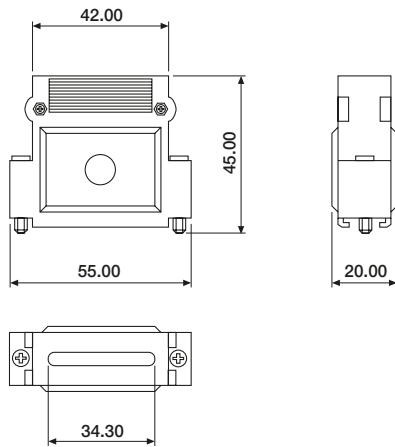
Circuit Size	A	B	D	ØE (max.)
09	31.00	32.00	15.00	8.00
15	39.50	36.00	15.00	8.20
25	53.00	36.00	15.00	10.70
37	69.50	40.50	15.00	10.90



D-Connector Hoods

Plastic and Plastic Metalised

■ Series 1000 (screw lock) for ID type D-connector



ORDERING INFORMATION

DBK-XXPM-1001	plastic, metalised
DBK-XXPL -1001	plastic, grey
	available circuit sizes: 09, 15, 25, 37