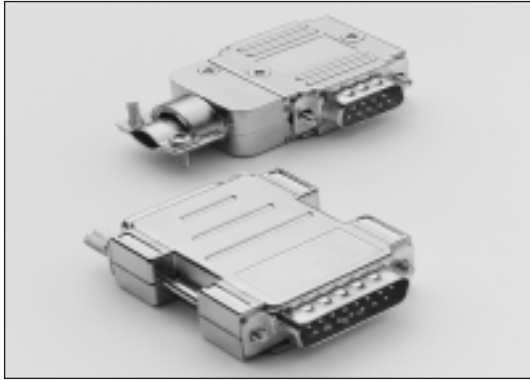




D-Connector Adapter Hoods

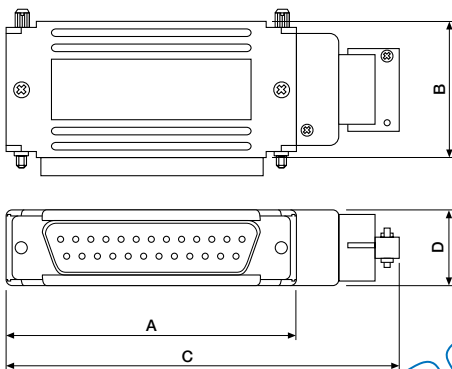
Plastic and Plastic Metalised



A range of plastic and/or metalised hoods for D-connectors. For the 2000 series there are PCB boards available to make a fast 1:1 interconnection between the two connectors.

All adapter hoods are supplied with hand locking screws. Series 1000 can be used for IEC-625 bus connections.

Series 1000



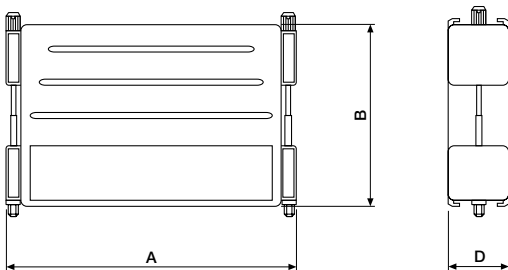
ORDERING INFORMATION

DKA-XXHS-1052 plastic, metalised
available circuit sizes:
09, 15, 25, 37

DIMENSIONS

Circuit Size	A	B	C	D
09	33.00	28.50	59.00	17.20
15	41.50	28.50	69.50	17.20
25	55.00	28.50	81.00	17.20
37	71.50	28.50	97.50	17.20

Series 2000



ORDERING INFORMATION

DAK-XXPL -2020 plastic, black
DAK-XXPM -2020 plastic, metalised
DAK-XXPB -2020 internal PCB
available circuit sizes:
09, 15, 25

DIMENSIONS

Circuit Size	A	B	D
09	31.55	40.00	16.60
15	40.00	40.00	16.60
25	53.60	40.00	16.60