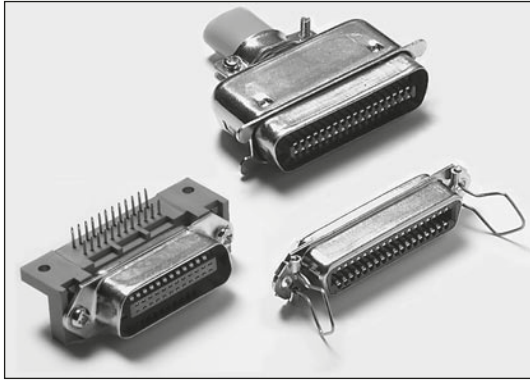




Micro-Ribbon Connectors (Centronics)

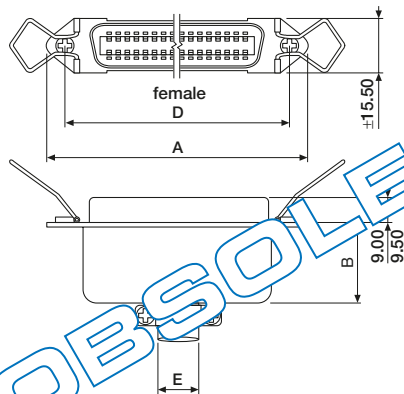
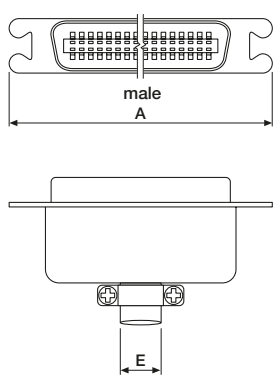


A full range of male/female micro-ribbon (centronics) connectors. Available models: Hand solder, PCB and chassis-mounting.

Material : Glass-filled PBT, UL 94V-0
 Contacts : Phosphor Bronze
 Plating : Gold over Nickel
 Shell : Steel or Nickel Plated
 Electrical : See Chapter 15

All dimensions to be used as reference only.

■ Solder cup model



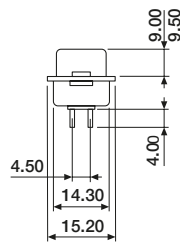
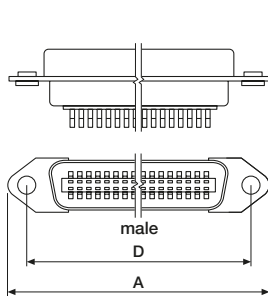
ORDERING INFORMATION

MR-XXHS-0059 male
 MR-XXHS-0159 female with locking clip
 available circuit sizes:
 14, 24, 36, 50

DIMENSIONS

Circuit Size	A (male)	A (female)	B	D	E (max)
14	37.80	43.90	15.00	36.00	10.40
24	48.60	54.70	21.00	46.80	11.80
36	61.60	67.70	23.00	59.70	11.80
50	76.70	82.80	25.40	74.90	11.80

■ Chassis mount model



ORDERING INFORMATION

MRM-XXCM-0059 male
 MRF-XXCM-0059 female
 MRF-XXCM-0159 female with locking clip (standard)
 available circuit sizes:
 14, 24, 36, 50

DIMENSIONS

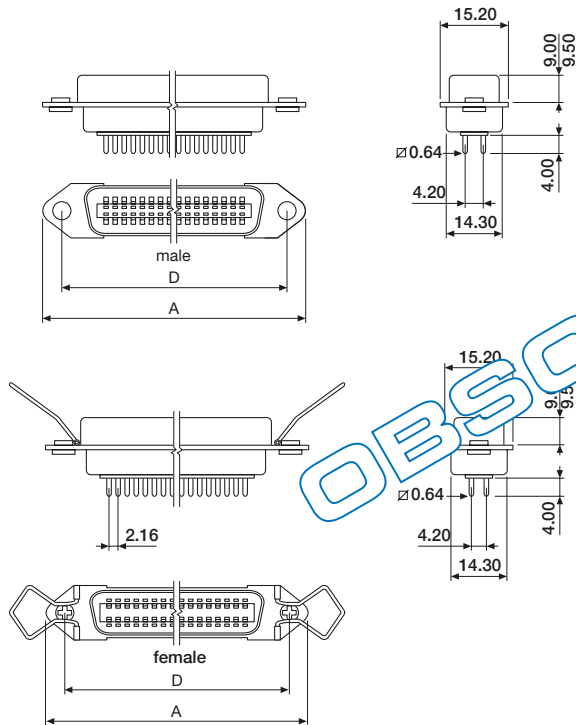
Circuit size	A	D
14	43.90	36.00
24	54.70	46.80
36	67.70	59.70
50	82.80	74.90

Female models without locking clips and male models are subject to M.O.Q.



Micro-Ribbon Connectors (Centronics)

■ PCB mount, straight



ORDERING INFORMATION

MRM-XXDS-0059 male
 MRF-XXDS-0059 female
 MRF-XXDS-0159 female with locking clip

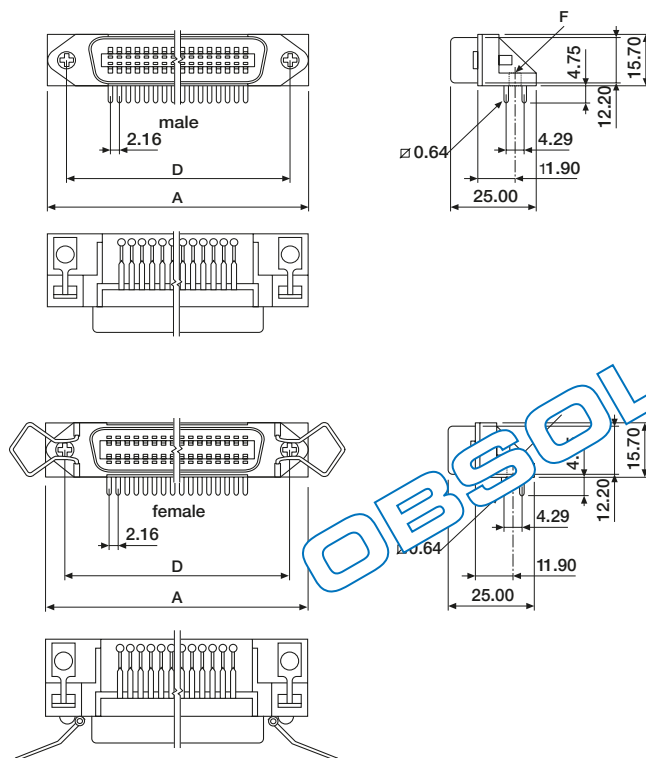
available circuit sizes:
 14, 24, 36, 50

DIMENSIONS

Circuit size	A	D
14	43.90	36.00
24	54.70	46.80
36	67.70	59.70
50	82.80	74.90

Female models without locking clips and male models are subject to M.O.Q.

■ PCB-mount, right-angle



ORDERING INFORMATION

MRM-XXDS-1059 male
 MRF-XXDS-1059 female
 MRF-XXDS-1159 female with locking clip, F = UNC 4-40
 MRF-XXDS-1169 female with locking clip, F = M3
 MRF-XXDS-1179 female with locking clip, F = Ø3.20

available circuit sizes:
 14, 24, 36, 50

DIMENSIONS

Circuit size	A	D
14	43.90	36.00
24	54.70	46.80
36	67.70	59.70
50	82.80	74.90

Female models without locking clips and male models are subject to M.O.Q.