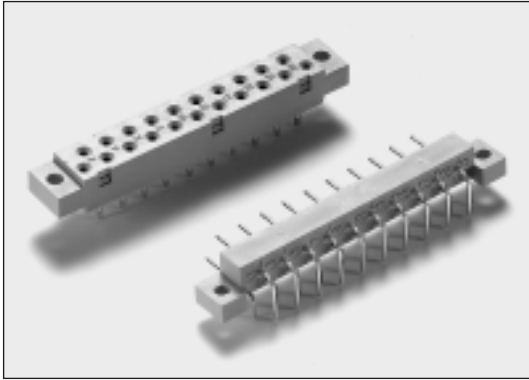




DIN 41617 Connectors

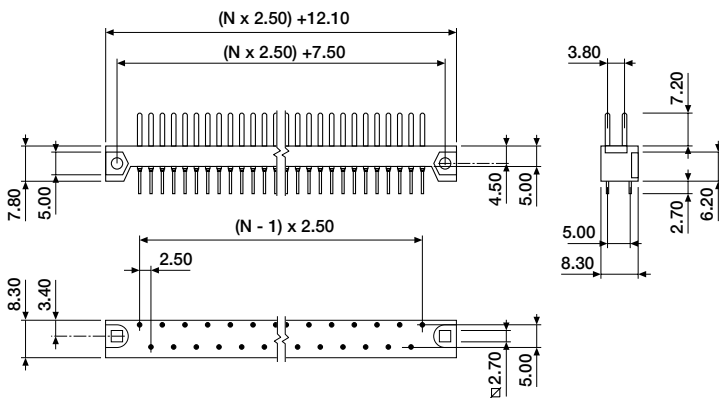
Contact Spacing 5.00mm



One of the oldest low cost connector systems for PCB to PCB or cable to PCB applications. Level 3 plating is standard. There are no hoods available.

Material : Glass-filled Polyester
Contacts : Copper Alloy
Plating : Hard Silver or Hard Gold
Electrical : See Chapter 15

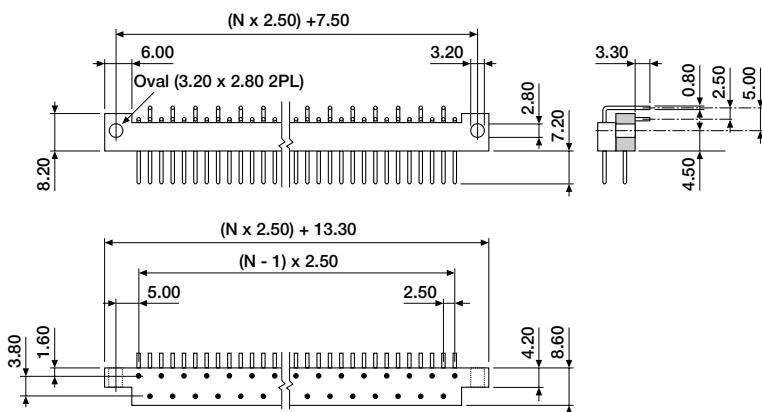
■ Male, dip solder, straight



ORDERING INFORMATION

DMZ-XXDS-0010 gold plated
available circuit sizes:
13, 21, 31

■ Male, dip solder, right angle



ORDERING INFORMATION

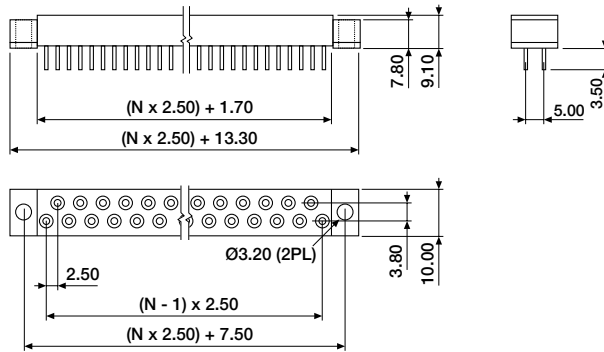
DMZ-XXDS-1010 gold plated
available circuit sizes:
13, 21, 31



DIN 41617 Connectors

Contact Spacing 5.00mm

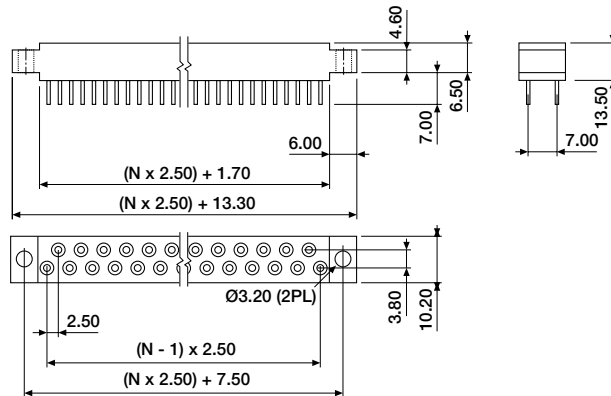
■ Female, dip solder, straight



ORDERING INFORMATION

DFZ-XXDS-0010 gold plated
available circuit sizes:
13, 21, 31

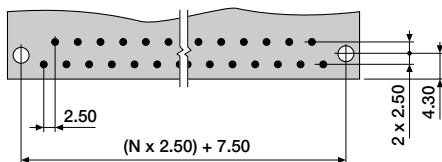
■ Female, hand solder, straight



ORDERING INFORMATION

DFZ-XXHS-0010 gold plated
available circuit sizes:
13, 21, 31

■ PCB layout



PCB hole size: Ø1,00 (female models)
Ø1,30 (male models)