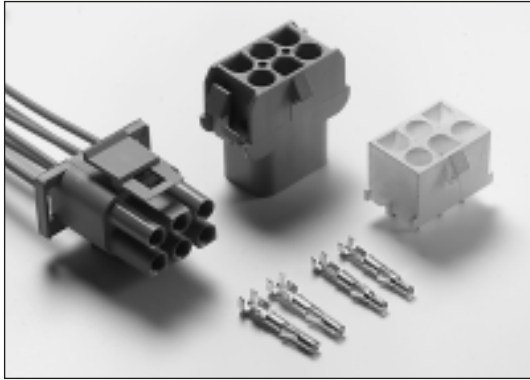




6.35mm Rectangular Multi-Circuit Connectors

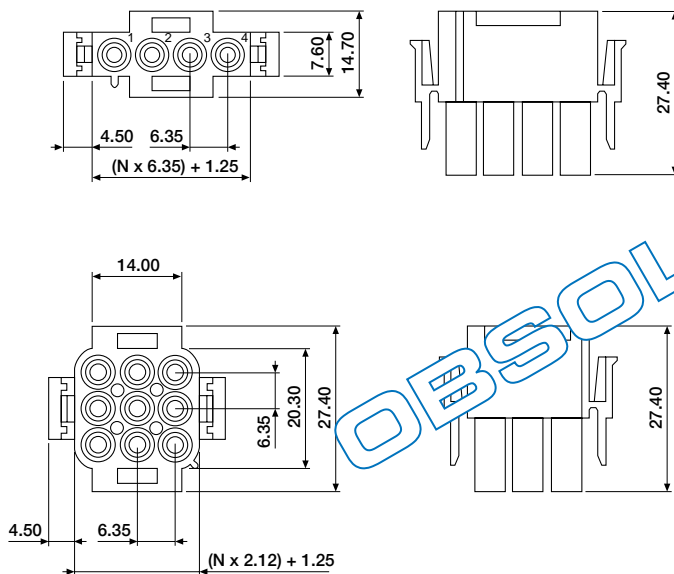
Wire to Wire and Wire to PCB



All contacts are individually protected by the housings. Housings are polarised and have large creeping distance and superior tracking resistance. Connectors are positive locked by tabs on housings and have the capability to inter-mix pins and sockets in the same housings for multiple keying. Industry standard interface dimensions. Crimp type contacts have two locking lances for balanced position in the housing. Split pins are available for reduced mating force.

Material : 6/6 Nylon, UL 94V-2 (UL 94V-0 on request)
Contacts : Copper Alloy or Phosphor Bronze
Plating : Tin
Colour : White (UL 94V-2)
Brown (UL 94V-0)
Electrical : See Chapter 15

■ Crimp type housing, male

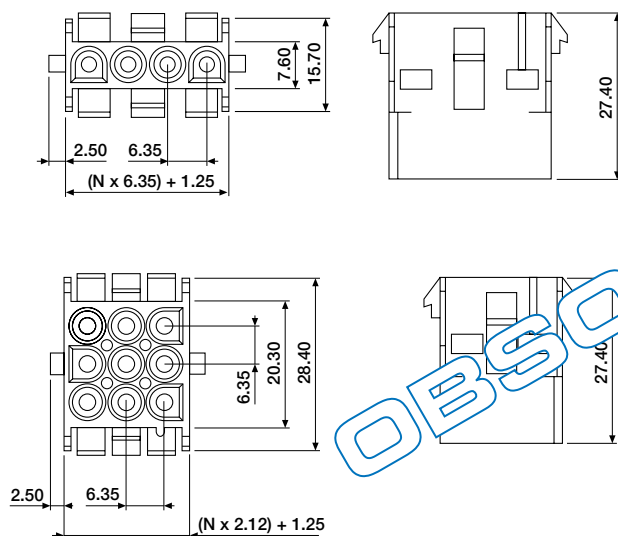


ORDERING INFORMATION

WBM-XXKK-0000 UL 94V-2 (standard)
WBM-XXKK-1000 UL 94V-0

available circuit sizes:
02, 03, 04, 05 (single row)
06, 09, 12, 15 (three rows)

■ Crimp type housing, female



ORDERING INFORMATION

WBF-XXKK-0000 UL 94V-2 (standard)
WBF-XXKK-1000 UL 94V-0

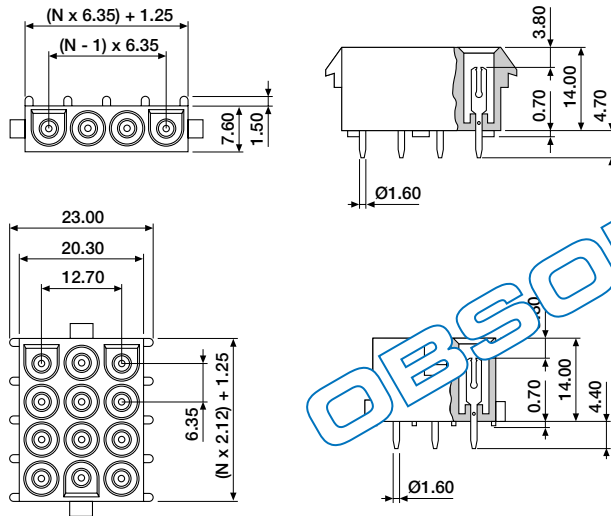
available circuit sizes:
02, 03, 04, 05 (single row)
06, 09, 12, 15 (three rows)



6.35mm Rectangular Multi-Circuit Connectors

Wire to Wire and Wire to PCB

■ Header with male contacts



ORDERING INFORMATION

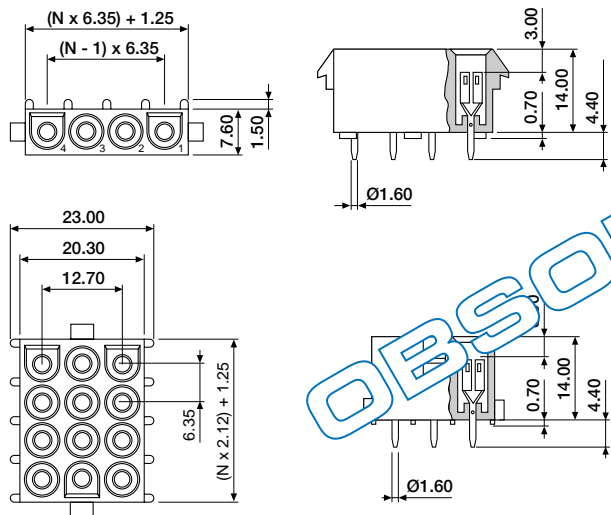
WHM-XXDS-0000 UL 94V-2 (standard)

WHM-XXDS-1000 UL 94V-0

available circuit sizes:
02, 03, 04, 05 (single row)
06, 09, 12, 15 (three rows)

PCB Hole Size = Ø1.80mm

■ Header with female contacts



ORDERING INFORMATION

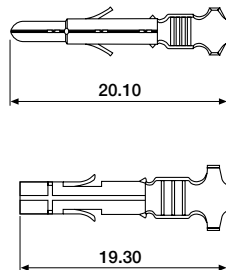
WHF-XXDS-0000 UL 94V-2 (standard)

WHF-XXDS-1000 UL 94V-0

available circuit sizes:
02, 03, 04, 05 (single row)
06, 09, 12, 15 (three rows)

PCB Hole Size = Ø1.80mm

■ Crimp type terminals, loose



ORDERING INFORMATION

WT-00KT-0000 female, AWG 18-24

WB-00KT-1000 female, AWG 14-20

WBT-10KT-0000 male, AWG 18-24 (split model)

WBT-10KT-1000 male, AWG 14-20 (split model)

HGS-00KT-1100 hand crimp tool, AWG 14-24

HGS-00KT-1200 hand crimp tool, AWG 18-28

HGS-00EX-3100 extractor

Contact sales office for grounding pins, phosphor bronze, gold plated and reeled contacts.