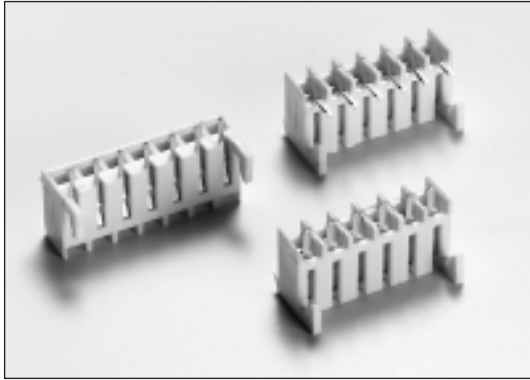




3.96mm Single Row PCB Socket Connectors

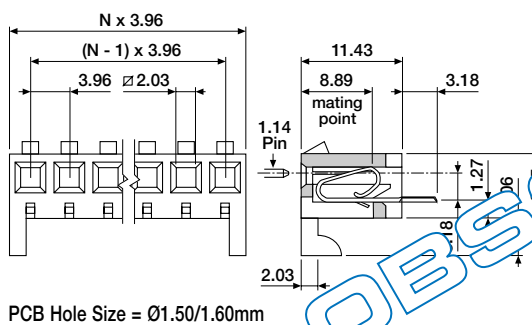
Right-angle, Top and Bottom Entry



Right-angle, top and bottom entry PCB connectors. Low cost, easy to use and the ability to meet exact requirements are some of the reasons these connector systems are one of the most versatile and dependable systems used in today's electronics. Mates with TLH headers or 1.14 square pins staked into PCB's.

Material : Polyester, UL 94V-0
Contacts : Copper Alloy
Plating : Tin or Gold Plated over Nickel
Electrical : See Chapter 15

■ Top entry (vertical mount)



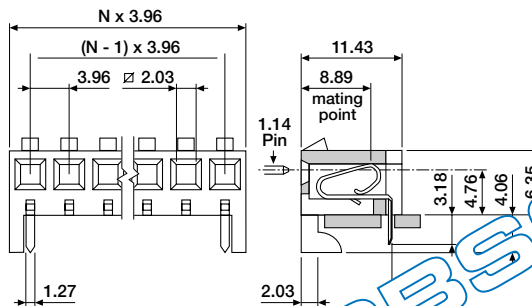
PCB Hole Size = Ø1.50/1.60mm

ORDERING INFORMATION

TLS-XXDS-0000 tin plated (standard)
TLS-XXDS-0020 gold plated
available circuit sizes:
2 to 12

Gold plated models are subject to M.O.Q.
Contact sales office for larger circuit sizes and models without locking ramps or hooks. (M.O.Q.)

■ Right-angle (parallel mount)



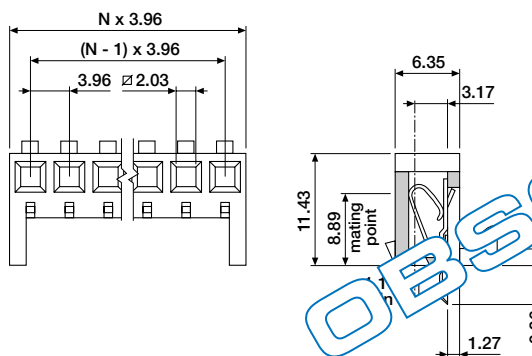
PCB Hole Size = Ø1.50/1.60mm

ORDERING INFORMATION

TLS-XXDS-1000 tin plated (standard)
TLS-XXDS-1020 gold plated
available circuit sizes:
2 to 12

Gold plated models are subject to M.O.Q.
Contact sales office for larger circuit sizes and models without locking ramps or hooks. (M.O.Q.)

■ Bottom entry (inverse mount)



PCB Hole Size = Ø1.10/1.20mm

ORDERING INFORMATION

TLS-XXDS-2000 tin plated (standard)
TLS-XXDS-2020 gold plated
available circuit sizes:
2 to 12

Gold plated models are subject to M.O.Q.
Contact sales office for larger circuit sizes and models without locking ramps or hooks. (M.O.Q.)