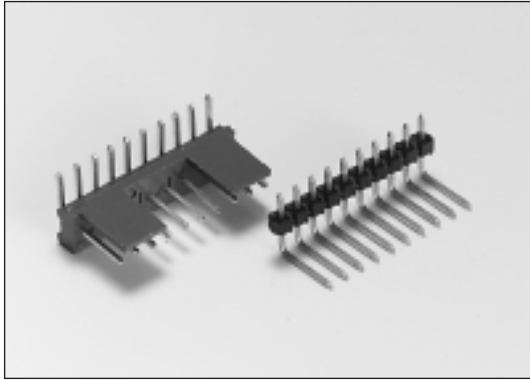




2.54mm Single Row PCB Headers

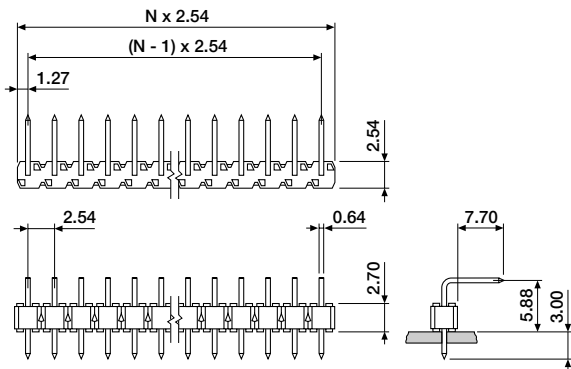
Right-angle



0.64mm square pins pre-inserted into nylon wafers that form a versatile means of packaging. Non-polarised headers may be stacked end to end or side by side for dense interconnections (polarised headers only stack end to end). Mates with TSS series crimp or ID style connectors and TSS series PCB connectors. Other pin lengths are available on request.

- Material : Nylon, UL 94V-0 (02 to 08 positions)
Glass filled polyester, UL 94V-0 (09 to 28 positions)
- Contacts : Phosphor Bronze
- Plating : Tin or Gold Plated over Nickel
- Electrical : See Chapter 15

Header, right-angle

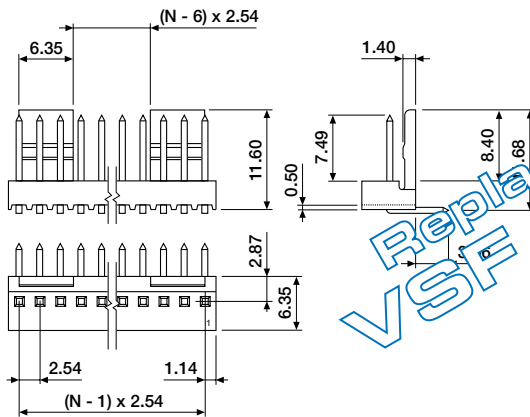


ORDERING INFORMATION

- TSH-XXDS-1000 tin plated
 - TSH-XXDS-1020 gold plated
- available circuit sizes:
02 to 20

These headers are identical to part numbers 82800380-XX-01/02.
PCB Hole Size = $\varnothing 1.10/1.20\text{mm}$

PCB male connector, right-angle



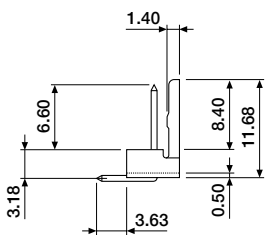
ORDERING INFORMATION

- TSE-XXDS-1000 tin plated (standard)
 - TSE-XXDS-1020 gold plated
- available circuit sizes:
02 to 20

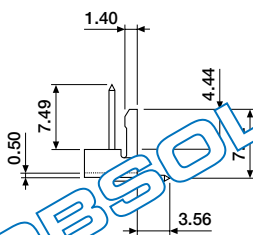
Gold plated models are subject to M.O.Q.
02 to 08 positions: colour red-brown
09 to 20 positions: colour broken white

Locking ramp solid on 02 thru 06 circuits.
PCB Hole Size = $\varnothing 1.10/1.20\text{mm}$

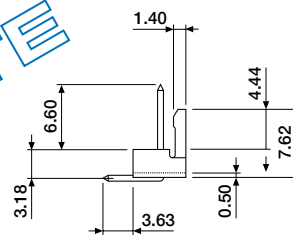
Other available models (non-standard)



Reversed standard locking ramp



Reduced locking ramp



Reversed and reduced locking ramp