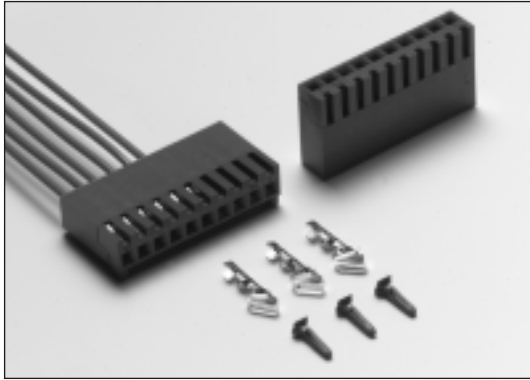




# 2.54mm Single Row Crimp Type Housings

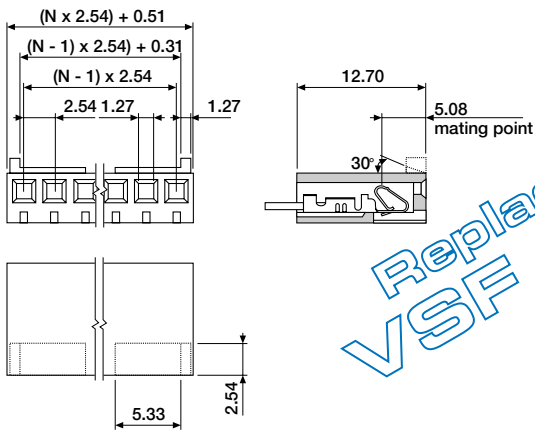
## Crimp Type Terminals and Polarising Peg



Reliable economical discrete wire crimp style housings for wire to board applications. Available with or without locking, polarising design. Requires crimp contacts to make complete assembly. Non-locking style mates with 8280202 or 8280380 series. Locking style mates with TSH series or 0.64mm square pins staked direct into PCB. Crimp contacts are equipped with anti-tangle feature and a high pressure point as standard.

Material : Nylon, UL 94V-0  
Contacts : Brass or Phosphor Bronze  
Plating : Tin or Gold Plated over Nickel  
Electrical : See Chapter 15

### ■ Crimp type housing

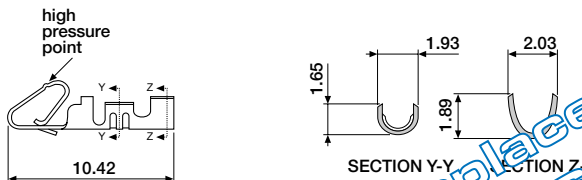


#### ORDERING INFORMATION

TSS-XXKK-0000 without locking/polarisation  
TSS-XXKK-1000 with locking/polarisation (standard)  
available circuit sizes:  
02 to 20

Replaced by VSF series

### ■ Crimp type terminals, loose



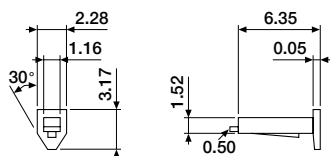
#### ORDERING INFORMATION

TST-00KT-0000 tin plated, AWG 22-28  
TST-00KT-0020 gold plated, AWG 22-28  
HGS-00KT-1200 hand crimp tool, AWG 18-28  
HGS-00KT-2100 hand crimp tool (O.M.P.), AWG 18-28

Contact sales office for reeled terminals.

Replaced by VSF series

### ■ Polarising peg



#### ORDERING INFORMATION

TSS-00KK-8000 polarising peg

OBSOLETE