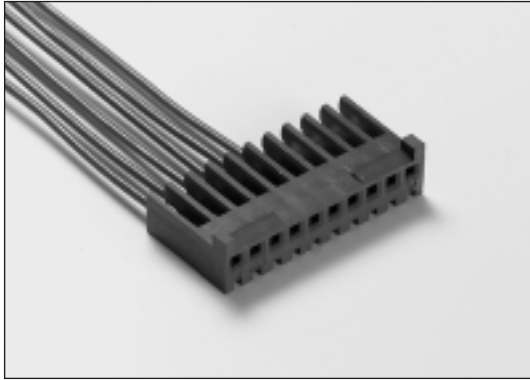




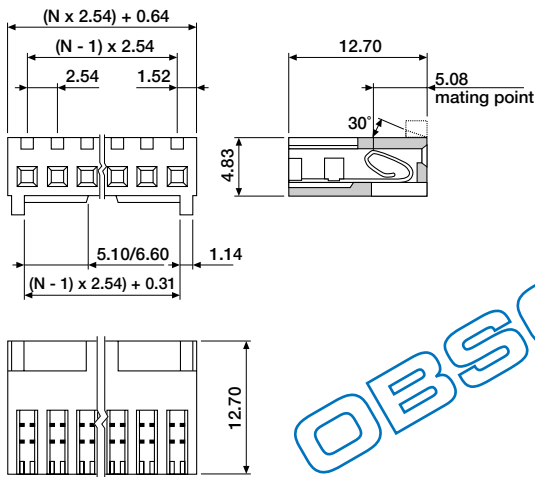
2.54mm Single Row ID Type Housings



A reliable economical method for wire to board applications. Discrete wires or ribbon cable. Connectors mate with 0.64mm square pins either staked in PCB's or standard 2.54mm centre headers. Connectors are available with optional locking ramp and polarising key. Types with extra strength end walls are recommended for applications using the maximum wire size of AWG 22. These versions are not end stackable. Maximum wire insulation diameter 1.52mm.

Material : Nylon, UL 94V-0
Contacts : Copper Alloy
Plating : Tin over Nickel
Electrical : See Chapter 15

■ ID housing



ORDERING INFORMATION

JSS-XXID-0X00 without locking/polarisation, tin plated
JSS-XXID-0X20 without locking/polarisation, gold plated
JSS-XXID-1X00 with locking/polarisation, tin plated
JSS-XXID-1X20 with locking/polarisation, gold plated

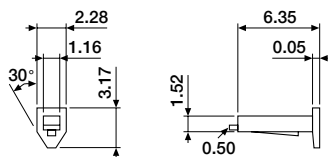
4 = AWG 22 (red)
6 = AWG 24 (black)
8 = AWG 26 (blue) (standard)
1 = AWG 28 (green) (standard)
3 = AWG 30 (white)

available circuit sizes:
02 to 12

HGS-00ID-1100 prototype hand tool
HGS-00ID-1200 auto index gun

Contact sales office for larger circuit sizes.

■ Polarising peg



ORDERING INFORMATION

TSS-00ID-8000 polarising peg