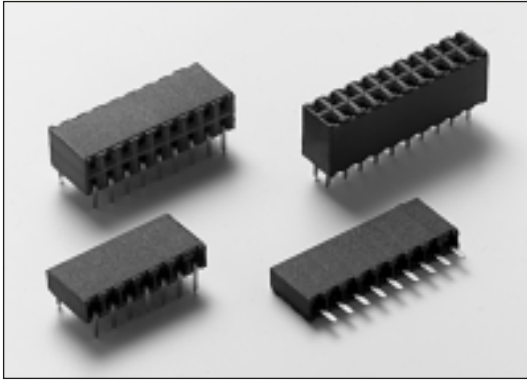




2.54mm Single and Double Row PCB Socket Connectors

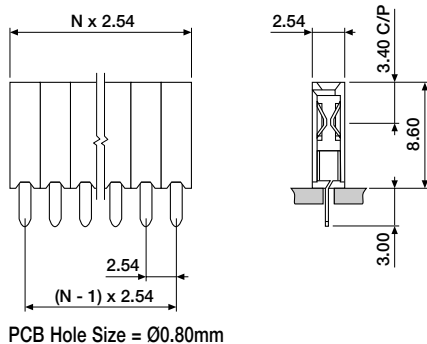
Through-Board and Surface-Mount



A full range of single and double row PCB sockets for top entry, right-angle and bottom entry applications. The sockets are supplied with boxed type contacts.

Material : Glass-filled Polyester, UL 94V-0
Contacts : Phosphor Bronze
Plating : Tin or Selective Gold over Nickel
Electrical : See Chapter 15

■ Top entry, single row, through board

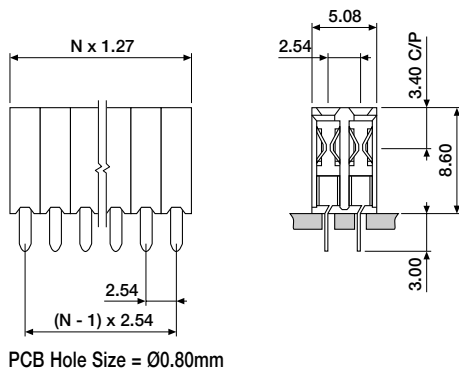


ORDERING INFORMATION

SSR-XXDS-0020 gold plated
available circuit sizes:
02 to 40

2, 3 and 27 to 36 way models have 90° rotated solder tails.

■ Top entry, double row, through board

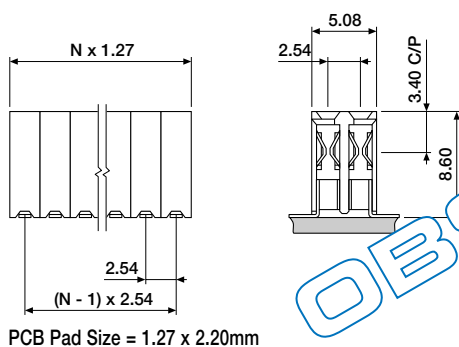


ORDERING INFORMATION

SDR-XXDS-0020 gold plated
available circuit sizes:
04 to 80

4, 6 and 54 to 72 way models have 90° rotated solder tails.

■ Top entry, double row, surface mount



ORDERING INFORMATION

SDR-XXSM-0000 tin plated
SDR-XXSM-0070 selective gold plated
available circuit sizes:
04 to 72

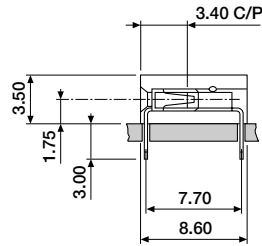
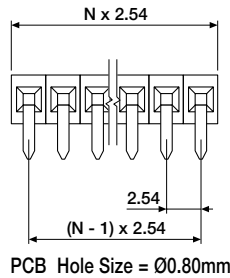
OBSOLETE



2.54mm Single and Double Row PCB Socket Connectors

Through-Board and Surface-Mount

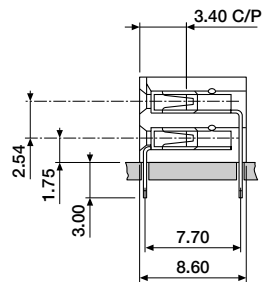
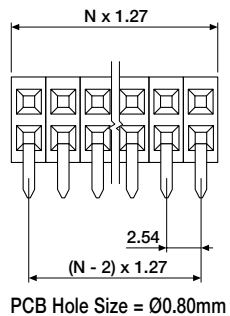
■ Right-angle, single row, through board



ORDERING INFORMATION

SSR-XXDS-1120 selective gold plated
available circuit sizes:
02 to 40

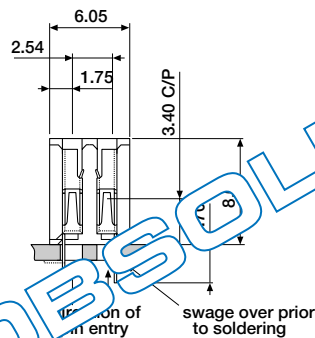
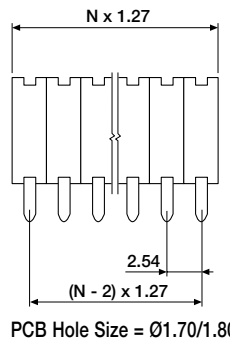
■ Right-angle, double row, through board



ORDERING INFORMATION

SDR-XXDS-1120 selective gold plated
available circuit sizes:
04 to 80

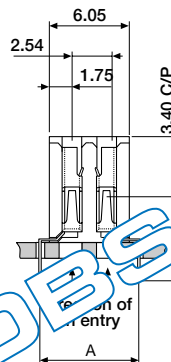
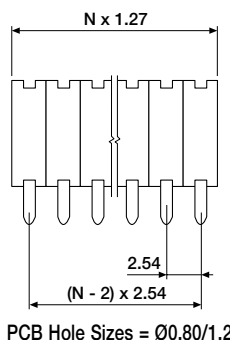
■ Bottom entry, double row, in-line tail



ORDERING INFORMATION

SR-XXDS-2000 tin plated
SDR-XXDS-2070 selective gold plated
available circuit sizes:
04 to 72

■ Bottom entry, double row, off-set tail



ORDERING INFORMATION

SR-XXDS-7000 A = 6.35, tin plated
SDR-XXDS-7070 A = 6.35, selective gold plated
SDR-XXDS-9000 A = 7.62, tin plated
SDR-XXDS-9070 A = 7.62, selective gold plated
available circuit sizes:
04 to 72