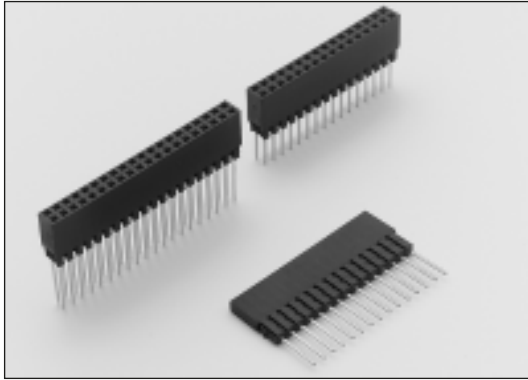




2.54mm Single and Double Row PCB Socket Connectors

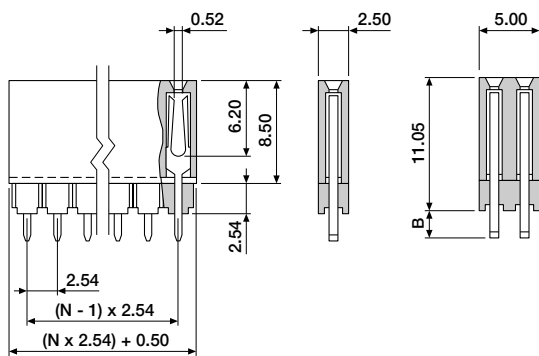
Extended Models (PC/104)



A range of single and double row top entry PCB sockets with extended solder tails. The 2 x 32 and 2 x 20 stackthrough and non-stackthrough models are in accordance with the PC/104 international industry standard for embedded PC applications.

Material : Glass-filled Polyester
Contacts : Phosphor Bronze
Plating : Gold Flash over Nickel
Electrical : See Chapter 15

■ Extended socket, height 11.05mm



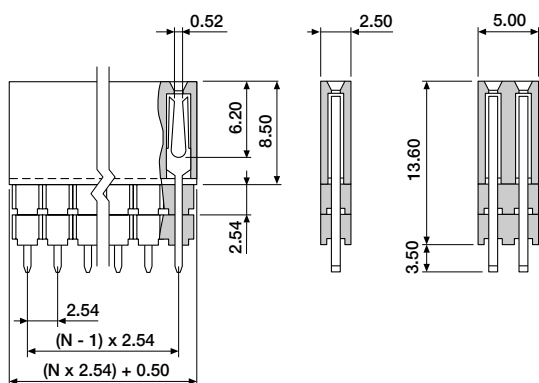
PCB Hole Size = Ø0.90mm

ORDERING INFORMATION

SSE-XXDS-0X20	single row, gold plated
SDE-XXDS-0X20	double row, gold plated
	available B size:
	0 for B = 3.2
	1 for B = 6.0
	2 for B = 7.9
	3 for B = 12.0
	available circuit sizes:
	03 to 40 single row
	06 to 80 double row

Selection 0 is PC/104 non-stackthrough (2 x 20/2 x 32 = stock item).
Selection 3 is PC/104 stackthrough (2 x 20/2 x 32 = stock item).
Other circuit sizes are subject to (M.O.Q.).

■ Extended socket, height 13.60mm



PCB Hole Size = Ø0.90mm

ORDERING INFORMATION

SSE-XXDS-2020	single row, gold plated
SDE-XXDS-2020	double row, gold plated
	available circuit sizes:
	03 to 40 single row
	06 to 80 double row

All circuit sizes are subject to (M.O.Q.).