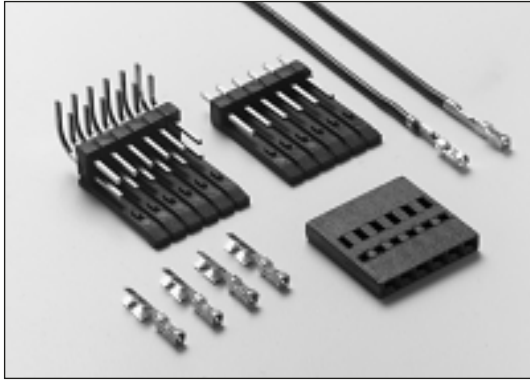




2.54mm Crimp Type Socket Connectors, Industrial

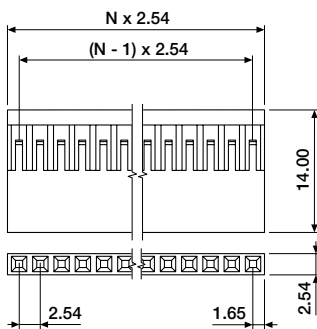
Wire to Board, Single and Double Row



This modular connector series consists of a full range of single and double row crimp type housings with boxed type crimp contacts and a limited range of positive locked headers. For non polarised headers see chapter 5.

Material : Glass-filled Polyester, UL 94V-0
Contacts : Phosphor Bronze
Plating : Tin or Selective Gold over Nickel
Electrical : See Chapter 15

■ Crimp type housing, single row

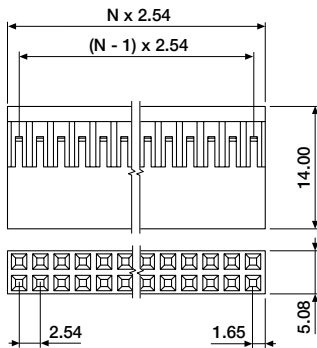


ORDERING INFORMATION

SLS-XXKK-0000 single row
available circuit sizes:
02 to 20

SLS-00KK-8000 polarising peg

■ Crimp type housing, double row

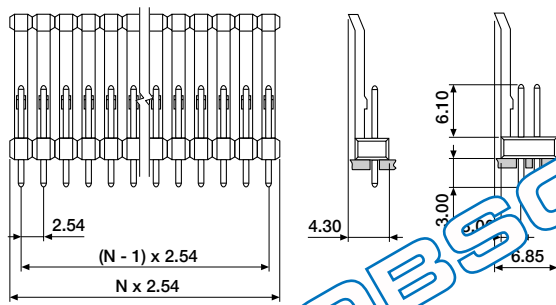


ORDERING INFORMATION

SLD-XXKK-0000 double row
available circuit sizes:
04 to 40

SLS-00KK-8000 polarising peg

■ Header, straight, positive locked



PCB Hole Size = Ø1.00

ORDERING INFORMATION

HLS-XXDS-0000 single row, tin plated
HLS-XXDS-0020 single row, gold plated
HLD-XXDS-0000 double row, tin plated
HLD-XXDS-0020 double row, gold plated

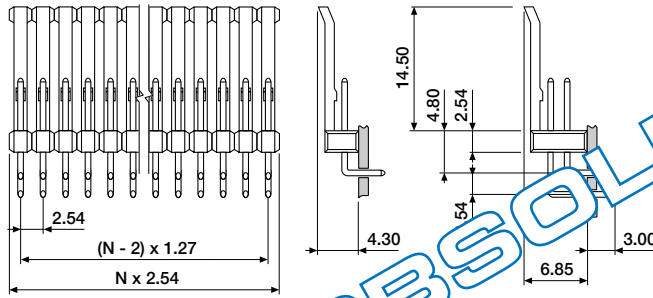
available circuit sizes:
02 to 12 single row
04 to 24 double row



2.54mm Crimp Type Socket Connectors, Industrial

Wire to Board

■ Header, right angle, positive locked



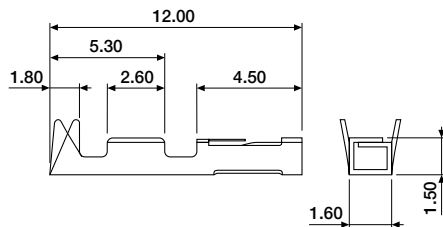
PCB Hole Size = Ø1.00

ORDERING INFORMATION

S-XXDS-1000	single row, tin plated
HLS-XXDS-1020	single row, gold plated
HLD-XXDS-1000	double row, tin plated
HLD-XXDS-1020	double row, gold plated

available circuit sizes:
02 to 12 single row
04 to 24 double row

■ Crimp type terminals, loose



ORDERING INFORMATION

SLT-00KT-0000	tin plated, AWG 22-30
SLT-00KT-0070	selective gold plated, AWG 22-30
HGS-10WM-1100	hand crimp tool, AWG 18-28

Contact sales office for reeled terminals.