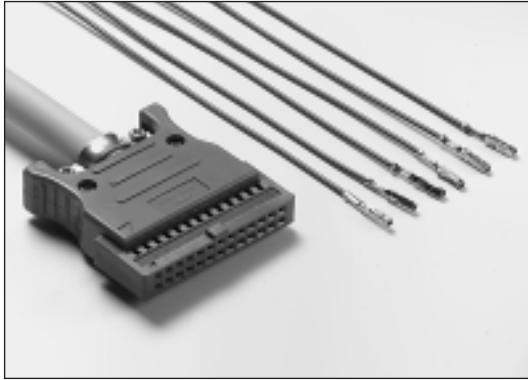




2.54mm Crimp Type Socket Connectors, Polarised

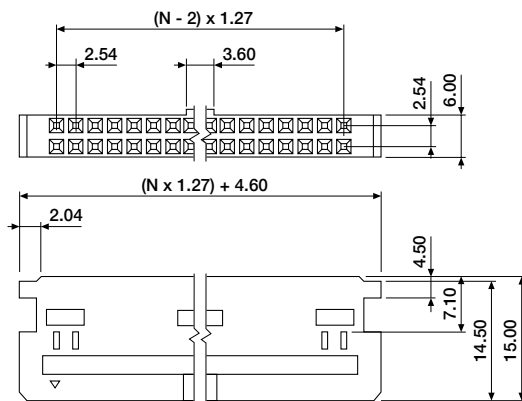
Double Row, Wire to Board



Polarised socket connectors which can be used together with shrouded headers with or without ejectors. This combination gives excellent flexibility in all cases where more current is needed than allowed when using ribbon cable.

Material : Glass-filled Polyester, UL 94V-0
Contacts : Phosphor Bronze
Plating : Tin or Selective Gold over Nickel
Colour : Blue/Black
Electrical : See Chapter 15

■ Crimp type housing

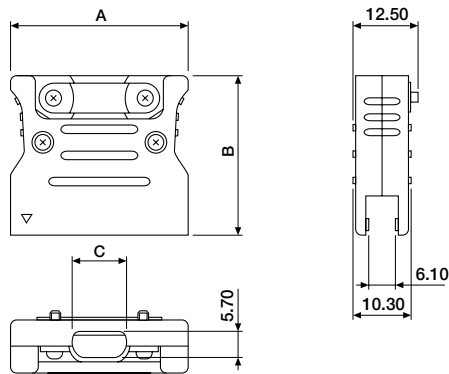


ORDERING INFORMATION

SPD-XXKK-0000 double row
available circuit sizes:
10, 16, 20, 26, 34, 40, 50, 60
SPD-00KK-8000 polarising peg

A low cost model is available under part number: SPD-XXKK-2000 (10, 14, 16 and 20 circuits)

■ Connector hood



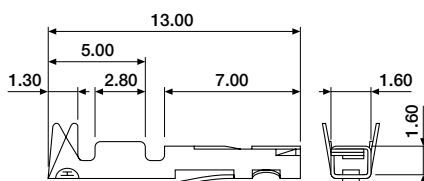
ORDERING INFORMATION

SPK-XXKK-0000 hood
available circuit sizes:
16, 20, 26, 34, 40, 50

DIMENSIONS

Circuit Size	A	B	C	Circuit Size	A	B	C
16	21.00	25.00	8.00	34	43.70	35.00	13.00
20	26.00	25.00	9.00	40	51.30	35.00	16.00
26	33.50	30.00	10.00	50	64.00	35.00	21.00

■ Crimp type terminals, loose



ORDERING INFORMATION

SPT-00KT-0070 selective gold plated, AWG 24-28
HGS-10WM-1100 hand crimp tool, AWG 18-28

Contact sales office for reeled terminals.