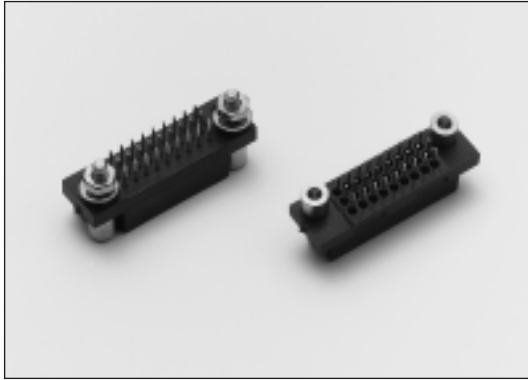




2.00mm PCB Connectors, Fully Shrouded, 3 Rows

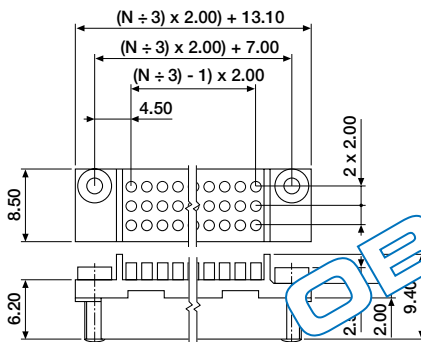
Sockets and Headers with Turned Contacts



This connector range was designed to conform with the dimensional requirements of BS-9525-F0033, with high reliable contacts for signal transmission without loss of data. The three row sockets and headers are fully shrouded and polarised. Optional: They can be supplied with power contacts and/or jackscrews (J.S.), with M2.5 thread.

- Material : Glass-filled Polyester, UL 94V-0
- Contacts : Brass with Beryllium Copper inner contact (female)
Phosphor Bronze (male)
- Plating : Gold Plated or Selective Gold over Nickel
Tin Plated solder tails
- Electrical : See Chapter 15

■ Crimp type housing, triple row

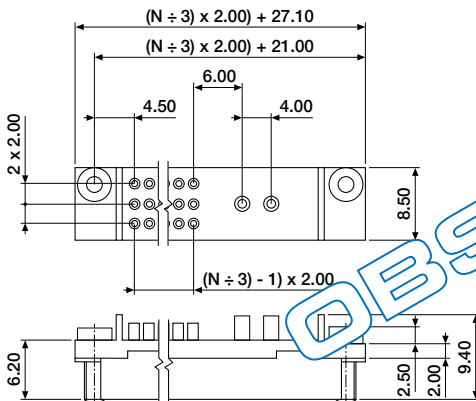


ORDERING INFORMATION

- DST-XXKK-0020 with contacts AWG 24-28
- DST-XXKK-1020 with contacts AWG 22
- DST-XXKK-2020 with contacts AWG 24-28 and J.S.
- DST-XXKK-3020 with contacts AWG 22 and J.S.

available circuit sizes:
27, 36, 45, 51, 63

■ Crimp type housing, triple row with two power contacts



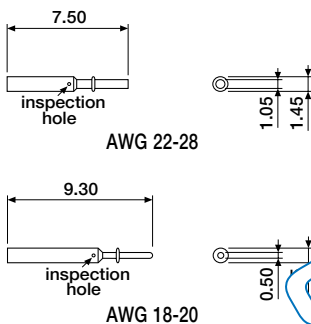
ORDERING INFORMATION

- DST-XXKK-4020 with contacts AWG 24-28
- DST-XXKK-5020 with contacts AWG 22
- DST-XXKK-6020 with contacts AWG 24-28 and J.S.
- DST-XXKK-7020 with contacts AWG 22 and J.S.

available circuit sizes:
06, 15, 24, 30, 42

Power contacts are for wires AWG 18-20 (10 A).
Number of circuits does not include power contacts.

■ Crimp contacts, loose



ORDERING INFORMATION

- DST-00KT-0020 contacts, AWG 24-28
- DST-00KT-1020 contacts, AWG 22
- DST-00KT-2020 contacts, AWG 18-20

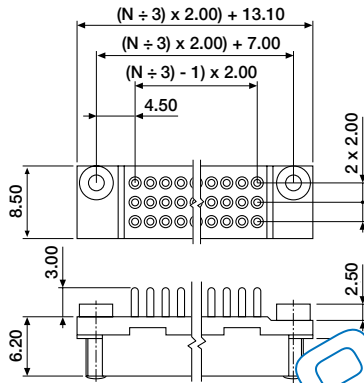
- HGS-00KT-3100 hand crimp tool
- HGS-00KT-3101 positioner, AWG 22-28
- HGS-00KT-3102 positioner, AWG 18-20
- HGS-00IE-1000 insertion/extraction tool



2.00mm PCB Connectors, Fully Shrouded, 3 Rows

Sockets and Headers with Turned Contacts

■ Socket, triple row, through board

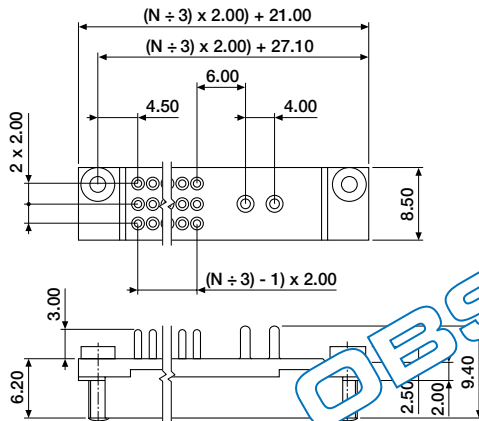


ORDERING INFORMATION

DST-X-SS-0022 without jackscrew
 DST-X-SS-2022 with jackscrew

available circuit sizes:
 27, 36, 45, 51, 63

■ Socket, triple row, through board with two power contacts



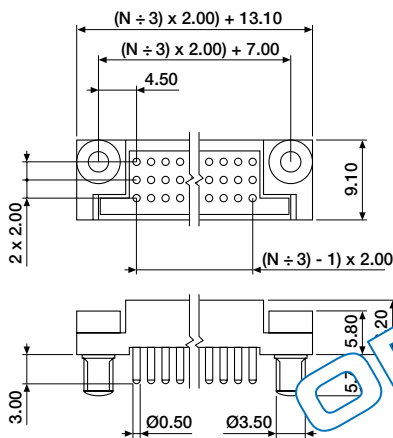
ORDERING INFORMATION

DST-X-SS-4022 without jackscrew
 DST-X-SS-6022 with jackscrew

available circuit sizes:
 06, 15, 24, 30, 42

Number of circuits does not include power contacts.

■ Header, triple row, through board



ORDERING INFORMATION

DHT-X-SS-0070 without jackscrew
 DHT-X-SS-2070 with jackscrew

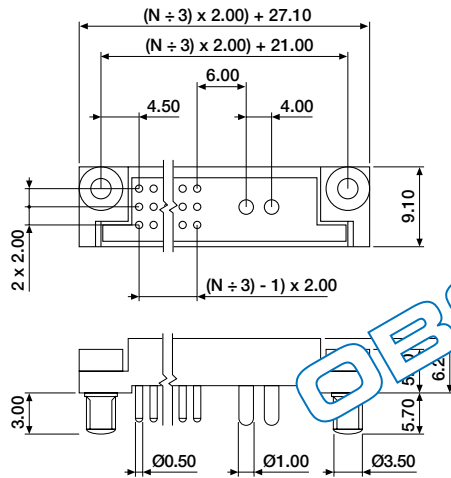
available circuit sizes:
 06, 15, 24, 30, 42



2.00mm PCB Connectors, Fully Shrouded, 3 Rows

Sockets and Headers with Turned Contacts

■ Header, triple row, through board with two power contacts



ORDERING INFORMATION

DHT-4070 without jackscrew

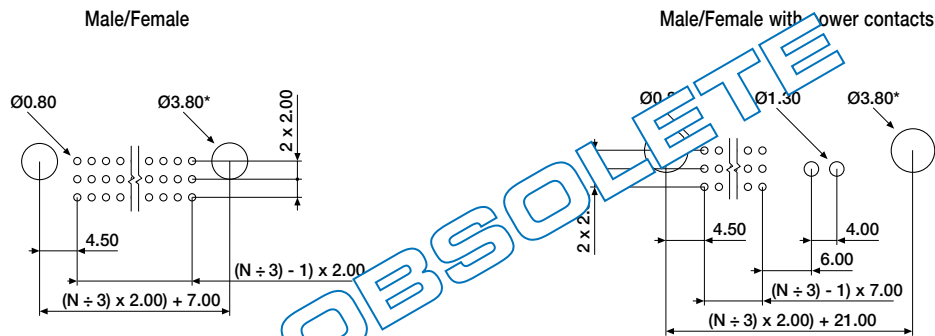
DHT-6070 with jackscrew

available circuit sizes:

6, 15, 24, 30, 42

Number of circuits does not include power contacts.

■ PCB layouts



*Required when jackscrews are fitted.
Otherwise optional to suit chosen fixing.

*Required when jackscrews are fitted.
Otherwise optional to suit chosen fixing.