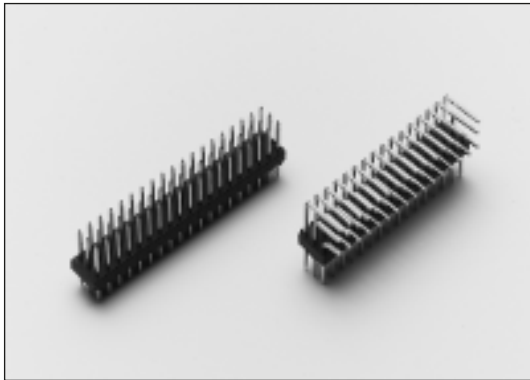




# 2.54mm Breakable Header Strips

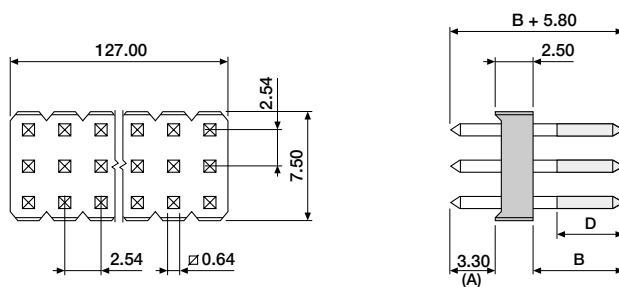
## 3 Rows



A limited range of straight, right-angle triple row headers. All headers are supplied in breakable strips of 3 x 50 pins. A high temperature body of PPS is available for all models against M.O.Q.

- Material : Glass-filled Polyester, UL 94V-0  
40% Glass-filled PPS, UL 94 V-0 (M.O.Q.)
- Contacts : Brass
- Plating : Selective Gold over Nickel
- Tolerances :  $\pm 0.25\text{mm}$  (A, B and C dimensions)  
 $\pm 0.10\text{mm}$  (other dimensions)
- Electrical : See Chapter 15

### ■ Triple row, straight



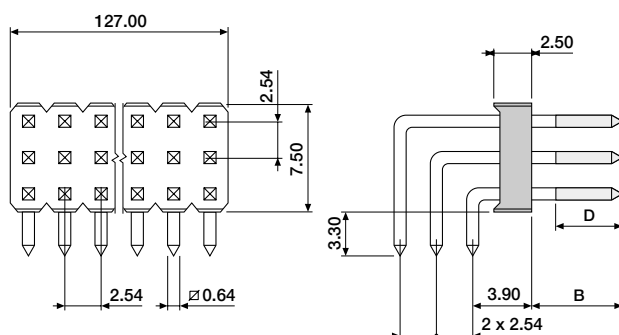
Selective gold plated section (D) 4.50mm min.  
Contact sales office for other combinations of A and B dimensions and for other circuit sizes.

#### ORDERING INFORMATION & DIMENSIONS

- 62608XX-XX-01 tin plated
- 62608XX-XX-07 selective gold plated
- available circuit sizes: 06 to C0 (120)
- for pin No. see chart below

Pin No.	B	Pin No.	B	Pin No.	B	Pin No.	B
02	11.30	05	14.70	08	21.60		
03	12.60	06	17.70	09	22.80		
04	13.90	07	19.80	10	24.90		

### ■ Triple row, right-angle



Selective gold plated section (D) 4.50mm min.  
Contact sales office for other combinations of A and B dimensions and for other circuit sizes.

#### ORDERING INFORMATION & DIMENSIONS

- 62609XX-XX-01 tin plated
- 62609XX-XX-07 selective gold plated
- available circuit sizes: 06 to C0 (120)
- for pin No. see chart below

Pin No.	B	Pin No.	B	Pin No.	B	Pin No.	B
02	3.50	03	4.80	04	6.10	05	6.90