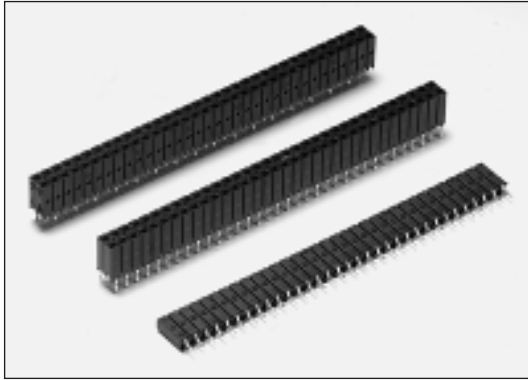




2.54mm Breakable Socket Strips

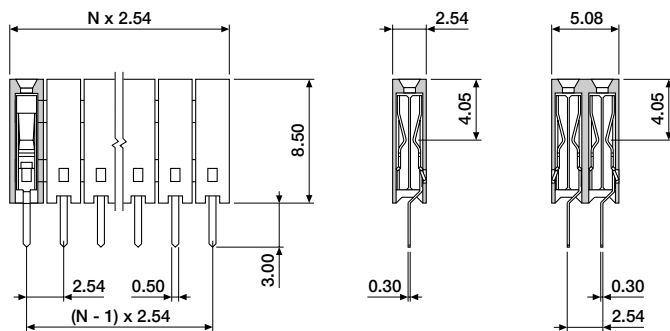
Standard Profile



A series of breakable socket strips for top and bottom entry applications. Connectors will be supplied in strips of 45 circuits for the single row models and 2 x 44/45 circuits for the double row models. Solder tails are kinked for positive retention on the PCB.

Material : Glass-filled Polyester, UL 94V-0
Contacts : Phosphor Bronze
Plating : Tin or Selective Gold over Nickel
Packaging : 600mm tubes (220 contacts per tube)
Electrical : See Chapter 15

■ Single row, double row, top entry



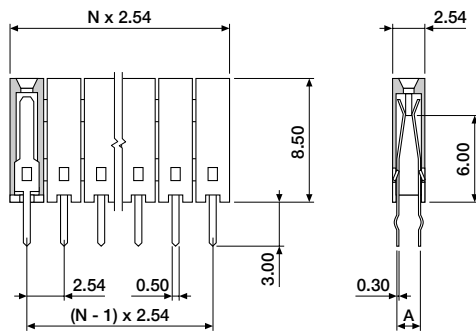
PCB Hole Size = $\varnothing 0.80\text{mm}$

ORDERING INFORMATION

BSS-45DS-00X0 single row, 45 circuits
BSD-90DS-00X0 double row, 90 circuits
0 = tin plated
7 = selective gold plated

Contact sales office for availability of other circuit sizes.

■ Single row, bottom entry, symmetrical



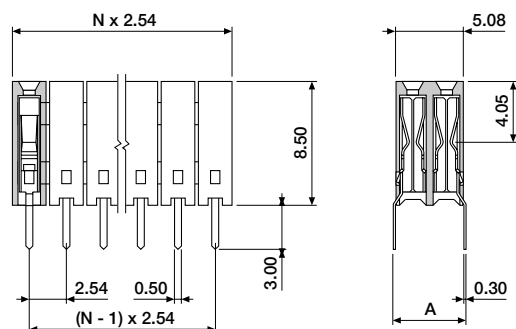
PCB Hole Size = $\varnothing 0.80\text{mm}$

ORDERING INFORMATION

SSD-32DS-00X0 A = 3.17mm, 32 circuits
SSD-32DS-01X0 A = 3.96mm, 32 circuits
SSD-32DS-02X0 A = 5.08mm, 32 circuits
0 = tin plated
7 = selective gold plated

Contact sales office for availability of other circuit sizes.

■ Double row, bottom entry



PCB Hole Size = $\varnothing 0.80\text{mm}$

ORDERING INFORMATION

SDB-64DS-00X0 A = 6.50mm, 64 circuits
SDB-64DS-01X0 A = 7.62mm, 64 circuits
0 = tin plated
7 = selective gold plated

Contact sales office for availability of other circuit sizes.
These bottom entry models can also be used for top entry application.