



# IC Socket Strips Single and Double Row

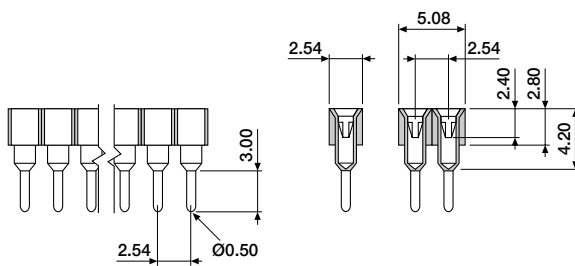
## Machine Tooled Contacts



This complete range of professional SIL sockets have machine tooled contacts. The contacts are of a two part construction, an outer shell fitted with an inner four-fingered spring contact.

Material : Glass-filled Polyester, UL 94V-0  
Contacts : Copper Alloy (outer shell)  
Beryllium Copper (spring contact)  
Plating : Tin or Gold over Nickel

### ■ IC socket strip, straight

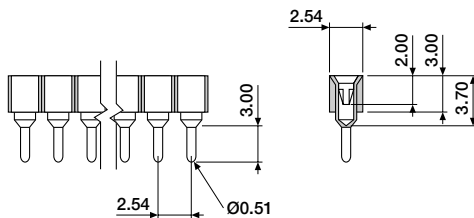


#### ORDERING INFORMATION

ISS-XXDS-0070 single row, tin shell, gold plated clip  
ISS-XXDS-0020 single row, gold plated shell and clip  
ISD-XXDS-0070 double row, tin shell, gold plated clip  
ISD-XXDS-0020 double row, gold plated shell and clip

available circuit sizes:  
20, 32, 64 (single row)  
64 (double row)

### ■ IC sockets strip, low profile

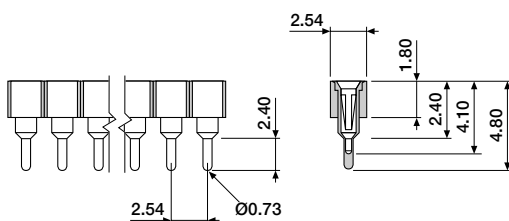


#### ORDERING INFORMATION

ISS-XXDS-2070 tin shell, gold plated clip

available circuit sizes:  
20, 32 (single row)

### ■ IC socket strip, straight, ultra low profile



#### ORDERING INFORMATION

ISS-XXDS-4070 tin plated shell, gold plated clip  
ISS-XXDS-4020 gold plated shell and clip

available circuit sizes:  
20, 32, 64 (single row)

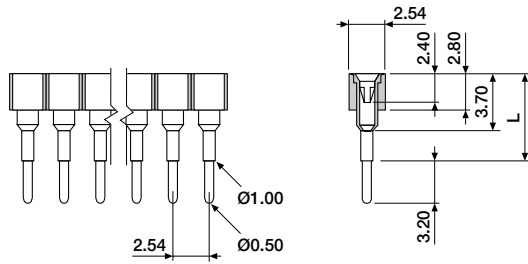
Products are subject to M.O.Q.



# IC Socket Strips Single and Double Row

## Machine Tooled Contacts

### ■ IC socket strip, extended



#### ORDERING INFORMATION

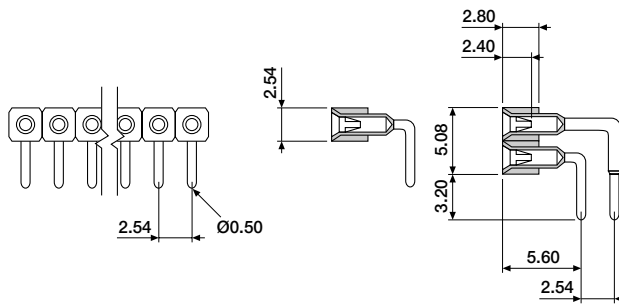
**ISS-XXDE-0X70** tin plated shell, gold plated clip

0 for L = 6.00, 1 for L = 8.00  
 2 for L = 10.00, 3 for L = 12.00  
 4 for L = 15.10, 5 for L = 18.00

available circuit sizes:  
 20, 32, 64 (single row)

Products are subject to M.O.Q.

### ■ IC socket strip, right-angle



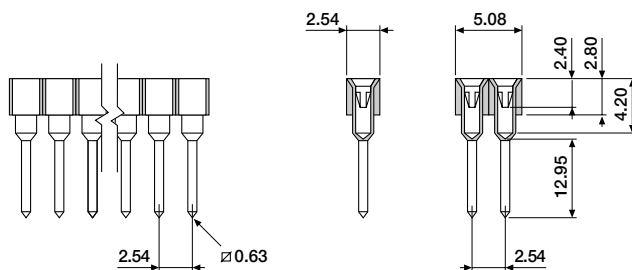
#### ORDERING INFORMATION

**ISS-XXDS-1070** single row, tin shell, gold plated clip  
**ISS-XXDS-1020** single row, gold plated shell and clip  
**ISD-XXDS-1070** double row, tin shell, gold plated clip  
**ISD-XXDS-1020** double row, gold plated shell and clip

available circuit sizes:  
 20, 32, 64 (single row)  
 64 (double row)

Products are subject to M.O.Q.

### ■ IC wire wrap socket strip, straight



#### ORDERING INFORMATION

**ISS-XXW3-0070** single row, tin shell, gold plated clip  
**ISS-XXW3-0020** single row, gold plated shell and clip  
**ISD-XXW3-0070** double row, tin shell, gold plated clip  
**ISD-XXW3-0020** double row, gold plated shell and clip

available circuit sizes:  
 20, 32, 64 (single row)  
 64 (double row)

Products are subject to M.O.Q.  
Also available with wire wrap pin lengths of 6.60mm and 9.40mm