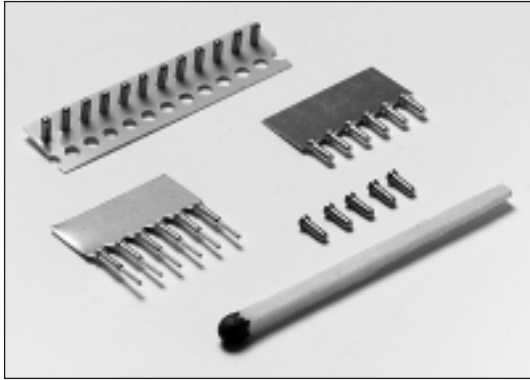




Miniature IC Contacts for 1.00mm PCB Hole

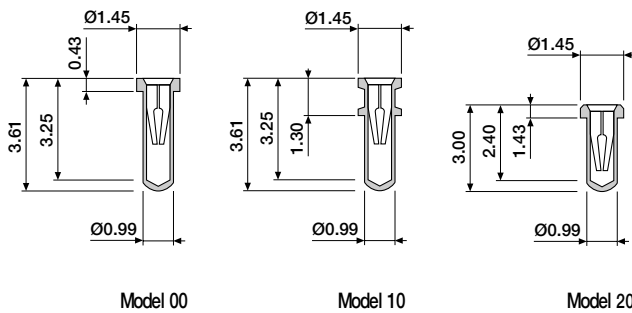
Machine Tooled Contacts



These socket contacts are designed to allow IC devices to be mounted into PCB's giving virtually zero above board profile. The contacts are of a two part construction, an outer shell fitted with an inner four-fingered spring contact. Sockets fit into a 1.00mm hole. For easy installation on the PCB some models are available on a metal or polyester carrier strip. Sockets accept round pins of Ø0.50mm or diagonal pins: 0.41mm x 0.51mm.

Contacts : Copper Alloy (outer shell)
Beryllium Copper (spring contact)
Plating : Tin or Gold over Nickel

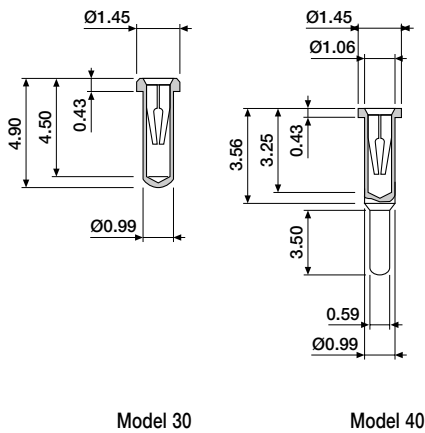
■ Miniature IC contact



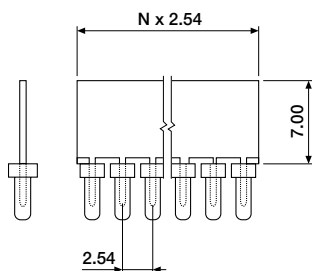
ORDERING INFORMATION

ICL-01DS-XX70 tin plated shell, gold plated clip (standard)
ICL-01DS-XX20 gold plated shell and clip
available pin models:
00, 10, 20, 30, 40

Pin models 00, 10 and 20 can be supplied in a sealed version



■ Miniature IC contact



ORDERING INFORMATION

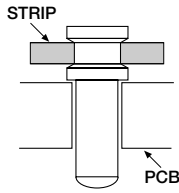
ICC-XXDS-XX70 tin plated shell, gold plated clip (standard)
ICC-XXDS-XX20 gold plated shell and clip
available pin models:
00, 10, 20, 30, 40
available circuit sizes:
04 to 32



Miniature IC Contacts for 1.00mm PCB Hole

Machine Tooled Contacts

■ Miniature IC contact on polyester strip (100 contacts)



Model 10

ORDERING INFORMATION

ICC-A0DS-1070 tin plated shell, gold plated clip
ICC-A0DS-1020 gold plated shell and clip

Available with pin model No. 10 only.