



Professional Jacks and Plugs

Mono/Stereo

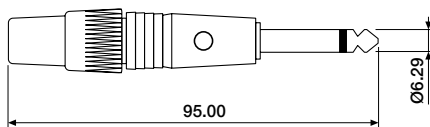


A wide variety of 6.35, 1/4" B-Gauge and 4-40mm miniature (bantam, TTY) jacks and plugs. Jacks are available for cable chassis and PCB-mounting. The cable and chassis-mount jacks are lockable.

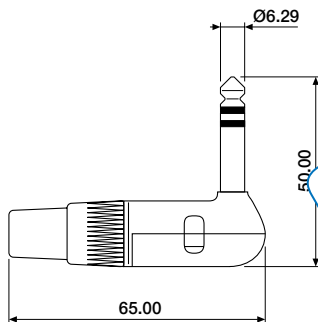
The phono plug makes ground before signal contact and breaks signal before ground. This plug is very reliable, robust and protects speakers against broken cones.

Contacts : Jacks Silver Plated
Plugs Nickel Plated

■ 1/4" Plug



Straight

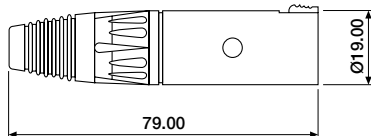


Right angle

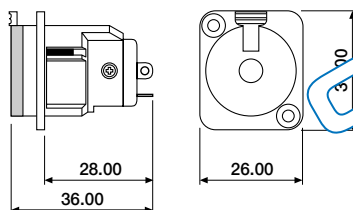
ORDERING INFORMATION

NCP-02HS-0100	mono, straight, nickel shell
NCP-02HS-0500	mono, straight, black shell
NCP-03HS-0100	mono, right-angle, nickel shell
NCP-03HS-0500	mono, right-angle, black shell
NCP-03HS-0100	stereo, straight, nickel shell
NCP-03HS-0500	stereo, straight, black shell
NCP-03HS-1100	stereo, right-angle, nickel shell
NCP-03HS-1500	stereo, right-angle, black shell

■ 1/4" locking jack



HS



HP

ORDERING INFORMATION

NCJ-03HP-0100	nickel shell
NCJ-03HP-0500	black shell
NCJ-03HP-0000	black plastic shell
NCJ-03HP-0100	nickel shell
NCJ-03HP-0500	black shell