



# Professional Loudspeaker Connectors

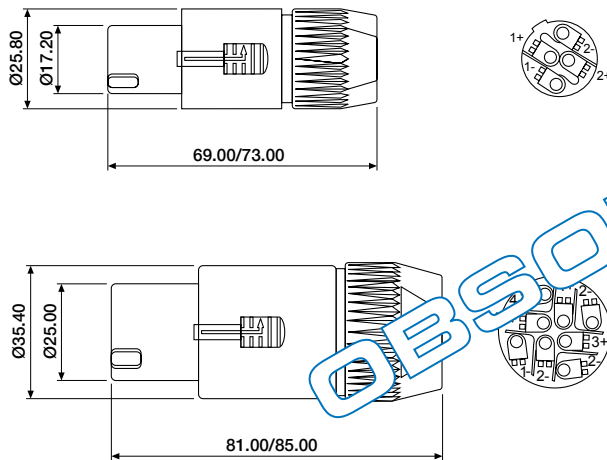
## Speakon



High contact twist and lock 4 and 8 circuit connectors for Hi-Fi or industrial applications. Cable connector allows screw or solder mounting of the cable (6mm<sup>2</sup> solid/4mm<sup>2</sup> stranded). Current rating of 30A (RMS) continuous per contact is allowed.

Chassis connectors are equipped with 4.80 x 0.50mm taps. Direct PCB models and cable couplers are also available.

### ■ Cable connector

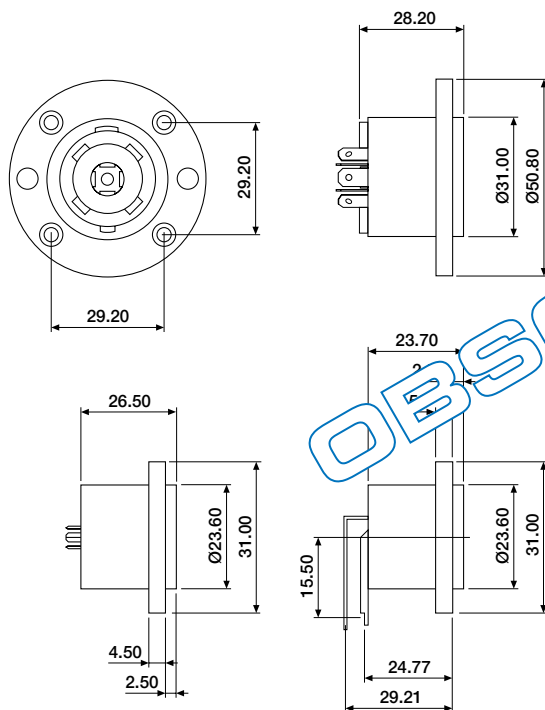


#### ORDERING INFORMATION

NSM-04CO-0000	4 circuits
NSM-08CO-0000	8 circuits
NSM-04CO-0000*	4 circuit coupler, L = 62.00mm
NSM-08CO-0000*	8 circuit coupler, L = 68.00mm

\*models not shown.

### ■ Panel connector



#### ORDERING INFORMATION

NSM-04HP-0000*	4 circuits, panel mount, round flange
NSM-04HP-2000*	4 circuits, panel mount, square flange
NSM-04DP-0000	4 circuits, panel PCB mount straight
NSM-04DP-1000	4 circuits, panel PCB mount right-angle
NSM-08HP-0000	panel mount
NSM-08DP-0000*	panel PCB mount straight

\*models not shown.