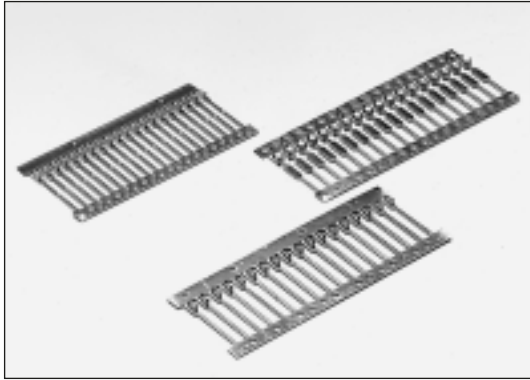




# Lead Frames

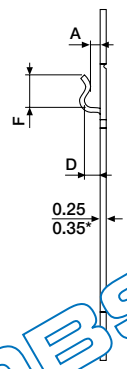
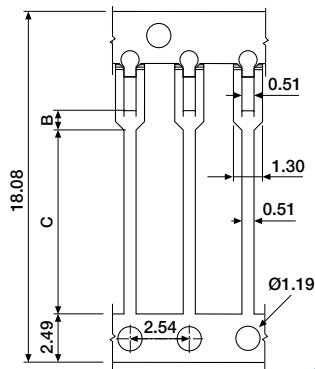
## SIL, Spacing 2.54 and 1.27mm



A complete range of lead frame terminals to meet any specification for manual, semi-automatic or automatic insertion. Removable upper tiebar protects leads and maintains alignment until insertion. Lead frames can be used for ceramic modules, resistor networks, glass displays and surface mount devices. Other platings, such as tin/lead and selective gold are available on request.

- Contacts : Phosphor Bronze
- Plating : Pre-plated Electrolytic Tin or  
Post-Plated Bright Electrolytic Tin/Lead (60/40)
- M.O.Q. : 6 reels

### ■ SIL lead frame, shape Y1, spacing 2.54mm



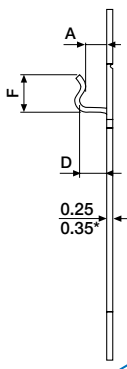
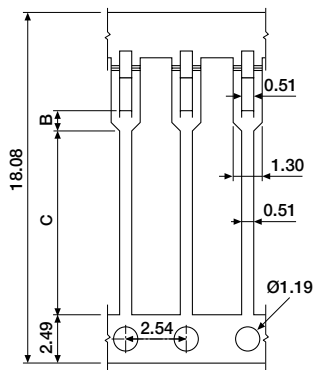
#### ORDERING INFORMATION & DIMENSIONS

LFR-XXXX-0042 pre-plated  
LFR-XXXX-0044 post-plated

available model numbers:  
(see dimension chart)

Model No.	Substrate Thickness	A	B	C	D	F	Reel Size
3257	0.60-0.70	0.50	0.65	9.85	0.80	1.30	40,000
1632	0.60-0.70	0.50	0.80	9.70	0.80	1.70	40,000
0718	0.60-0.70	0.50	1.00	9.50	0.80	1.70	40,000
0929	0.60-0.70	0.50	1.70	8.80	0.80	1.70	40,000

### ■ SIL lead frame, shape Y1, spacing 2.54mm



#### ORDERING INFORMATION & DIMENSIONS

LFR-XXXX-0042 pre-plated  
LFR-XXXX-0044 post-plated

available model numbers:  
(see dimension chart)

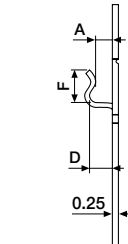
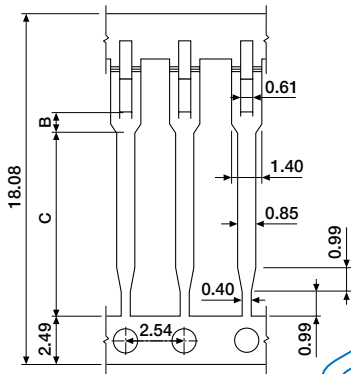
Model No.	Substrate Thickness	A	B	C	D	F	Reel Size
2278	0.60-0.70	0.50	1.00	9.50	0.80	1.40	40,000
1682	0.60-0.80	0.50	0.80	9.50	0.90	1.80	35,000
2459	0.80-1.20	0.70	1.50	8.80	1.30	1.70	30,000
2115	0.91-1.20	0.81	0.80	9.50	1.30	1.80	28,000
2487	1.00-1.20	0.90	0.80	9.50	1.30	1.40	30,000
1349	1.00-1.20	0.90	1.70	8.60	1.30	1.80	30,000
1706	1.00-1.20	0.90	2.60	7.70	1.30	1.80	30,000
0873	1.10-1.20	1.00	0.80	9.50	1.30	1.80	28,000
2484	1.25-1.50	1.15	1.00	9.50	1.60	1.40	25,000
3704	1.50-1.70	1.40	0.80	9.50	1.80	1.80	25,000
2180	1.51-1.70	1.41	1.70	8.60	1.80	1.80	25,000



# Lead Frames

## SIL, Spacing 2.54 and 1.27mm

### ■ SIL lead frame, shape Y1, spacing 2.54mm



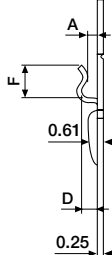
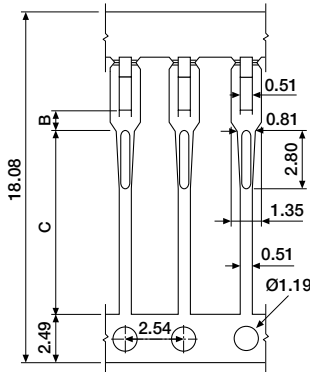
#### ORDERING INFORMATION & DIMENSIONS

LFR-Y1-0042 pre-plated  
 LFR-Y1-0044 post-plated

available model numbers:  
 (see dimension chart)

Model No.	Substrate Thickness	A	B	C	D	F	Reel Size
1311	0.60-0.70	0.50	1.00	9.50	0.80	1.70	40,000

### ■ SIL lead frame, shape Y1, spacing 2.54mm



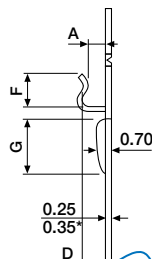
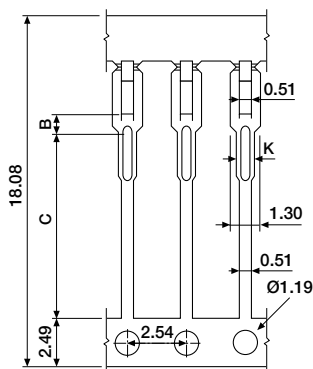
#### ORDERING INFORMATION & DIMENSIONS

LFR-Y1-0042 pre-plated  
 LFR-Y1-0044 post-plated

available model numbers:  
 (see dimension chart)

Model No.	Substrate Thickness	A	B	C	D	F	Reel Size
2287	0.60-0.70	0.50	1.00	9.50	0.80	1.70	40,000
3391	0.90-1.00	0.90	1.00	9.50	1.25	1.70	30,000

### ■ SIL lead frame, shape Y1, spacing 2.54mm



#### ORDERING INFORMATION & DIMENSIONS

LFR-Y1-0042 pre-plated  
 LFR-Y1-0044 post-plated

available model numbers:  
 (see dimension chart)

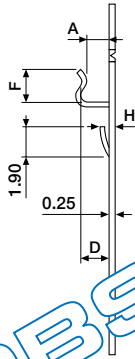
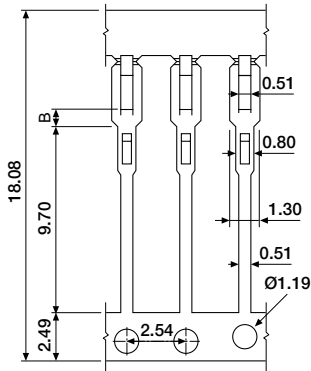
Model No.	Substrate Thickness	A	B	D	G	K	Reel Size
2616	0.60-0.70	0.50	0.80	0.80	1.90	0.90	40,000
2911	0.60-0.70	0.50	0.80	0.80	1.60	0.90	40,000
2615	0.60-0.70	0.50	0.90	0.80	1.90	0.67	40,000
2969	0.95-1.10	0.85	0.80	1.20	1.50	0.90	28,000
2971	2.50-2.70	2.40	0.80	1.80	1.50	0.90	17,000



# Lead Frames

## SIL, Spacing 2.54mm and 1.27mm

### ■ SIL lead frame, shape Y1, spacing 2.54mm



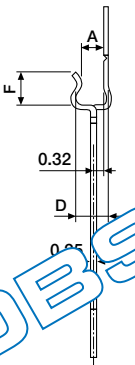
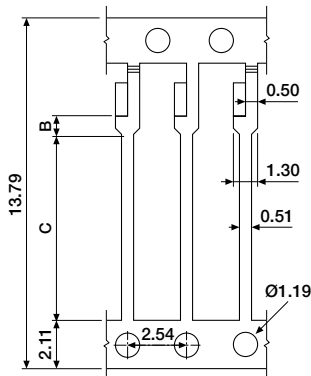
#### ORDERING INFORMATION & DIMENSIONS

LFR-XXXX-0042 pre-plated  
LFR-XXXX-0044 post-plated

available model numbers:  
(see dimension chart)

Model No.	Substrate Thickness	A	B	D	F	H	Reel Size
2900	0.60-0.70	0.50	0.80	0.80	1.70	0.85	40,000
3024	0.60-0.70	0.50	0.80	0.80	1.70	0.95	40,000
3388	0.60-0.70	0.50	0.80	0.80	1.70	0.95	40,000
3456	0.75-0.85	0.65	0.80	0.95	1.60	0.95	35,000
2901	1.00-1.20	0.90	0.80	1.30	1.70	0.85	30,000
3428	1.00-1.20	0.90	0.80	1.30	1.70	0.95	30,000

### ■ SIL lead frame, shape Y2, spacing 2.54mm



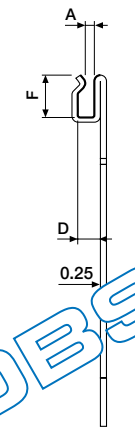
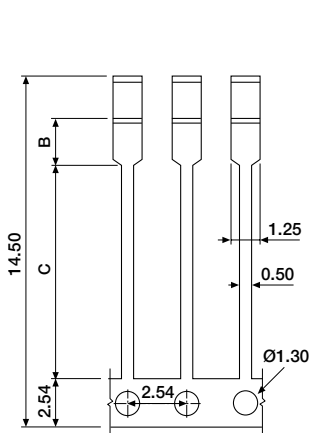
#### ORDERING INFORMATION & DIMENSIONS

LFR-XXXX-0042 pre-plated  
LFR-XXXX-0044 post-plated

available model numbers:  
(see dimension chart)

Model No.	Substrate Thickness	A	B	C	D	F	Reel Size
1498	0.60-0.80	0.50	0.80	6.00	0.90	1.50	35,000
1516	0.60-0.80	0.50	1.20	5.70	0.90	1.50	35,000

### ■ SIL lead frame, shape Y3, spacing 2.54mm



#### ORDERING INFORMATION & DIMENSIONS

LFR-XXXX-0042 pre-plated with special inlay plating  
LFR-XXXX-0044 post-plated with special inlay plating

available model numbers:  
(see dimension chart)

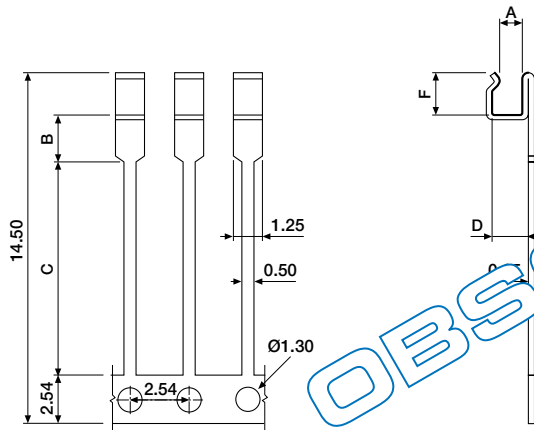
Model No.	Substrate Thickness	A	B	C	D	F	Reel Size
3282	0.60-0.85	0.50	1.00	9.00	1.30	1.45	27,000



# Lead Frames

## SIL, Spacing 2.54 and 1.27mm

### ■ SIL lead frame, shape Y3, spacing 2.54mm



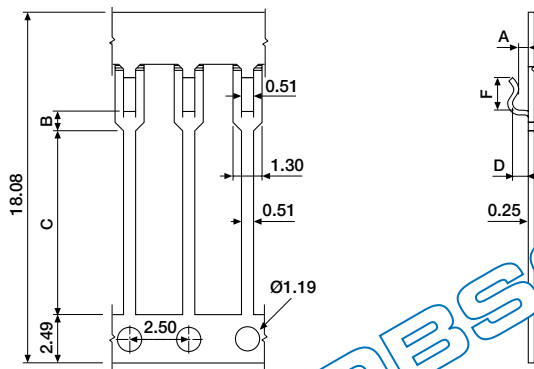
#### ORDERING INFORMATION & DIMENSIONS

LFR-XXX-0042 pre-plated with special inlay plating  
 LFR-XXX-0044 post-plated with special inlay plating

available model numbers:  
 (see dimension chart)

Model No.	Substrate Thickness	A	B	C	D	F	Reel Size
3301	1.50-1.75	1.40	1.80	8.20	1.75	1.45	22,000

### ■ SIL lead frame, shape Y1, spacing 2.50mm



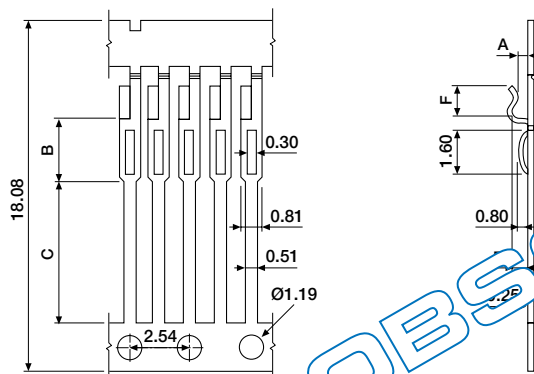
#### ORDERING INFORMATION & DIMENSIONS

LFR-XXX-0042 pre-plated  
 LFR-XXX-0044 post-plated

available model numbers:  
 (see dimension chart)

Model No.	Substrate Thickness	A	B	C	D	F	Reel Size
0717	0.60-0.70	0.50	1.00	9.50	0.80	1.75	40,000

### ■ SIL lead frame, shape Y1, spacing 1.27mm



#### ORDERING INFORMATION & DIMENSIONS

LFR-XXX-0042 pre-plated  
 LFR-XXX-0044 post-plated

available model numbers:  
 (see dimension chart)

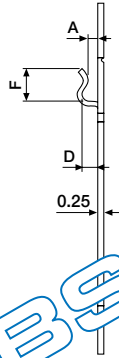
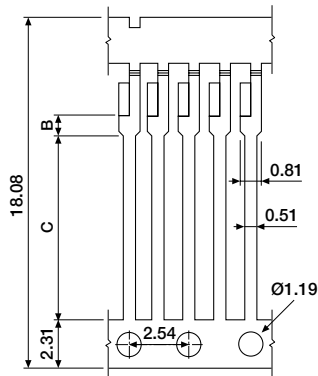
Model No.	Substrate Thickness	A	B	C	D	F	Reel Size
3259	0.60-0.70	0.50	2.80	7.90	0.80	1.50	80,000



# Lead Frames

## SIL, 2.54 and 1.27mm

### ■ SIL lead frame, shape Y1, spacing 1.27mm



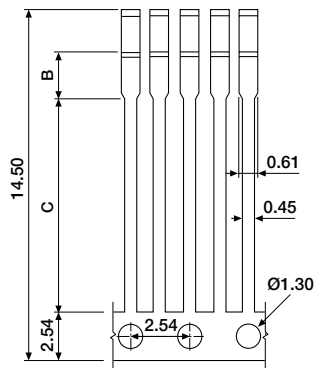
#### ORDERING INFORMATION & DIMENSIONS

LFR-XXXX-0042 pre-plated  
LFR-XXXX-0044 post-plated

available model numbers:  
(see dimension chart)

Model No.	Substrate Thickness	A	B	C	D	F	Reel Size
1627	0.60-0.70	0.50	1.00	9.70	0.80	1.50	80,000

### ■ SIL lead frame, shape Y3, spacing 1.27mm



#### ORDERING INFORMATION & DIMENSIONS

LFR-XXXX-0042 pre-plated with special inlay plating  
LFR-XXXX-0044 post-plated with special inlay plating

available model numbers:  
(see dimension chart)

Model No.	Substrate Thickness	A	B	C	D	F	Reel Size
3302	0.60-0.85	0.50	1.00	9.00	1.30	1.45	54,000
3304	1.00-1.25	0.90	1.00	9.00	1.30	1.45	54,000
3305	1.25-1.50	1.15	1.00	9.00	1.75	1.45	45,000
3306	1.50-1.75	1.40	1.00	9.00	1.75	1.45	45,000