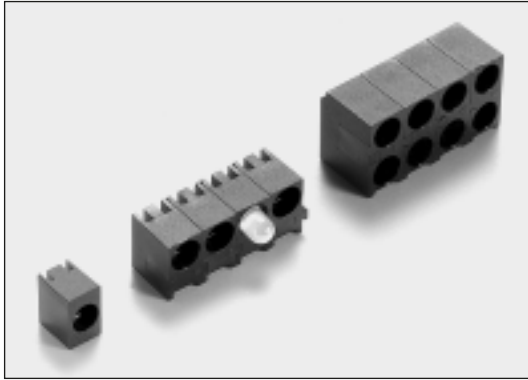




3.00mm LED Holders, 1 to 4 Levels

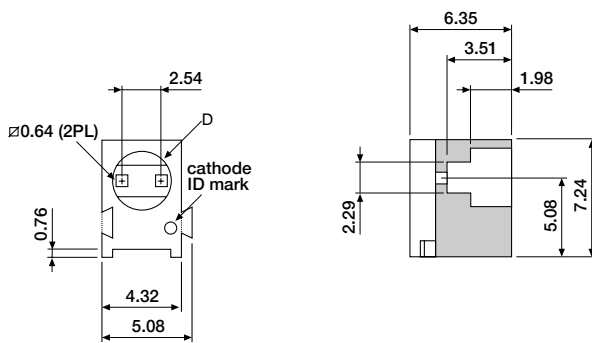
For 90° LED Mounting



The 90° LED holders provide an immediate and economic answer to single and bi-level mounting of virtually all LED types. Choose between individual stations or interlocking styles which form rigid arrays for accurate LED positioning. Interlocking versions enable an unlimited number of stations to be precisely spaced.

Material : Nylon, UL 94V-0
Colour : Black
Tolerances : All Dimensions $\pm 0.13\text{mm}$

■ 3.00mm (T1), individual and interlocking

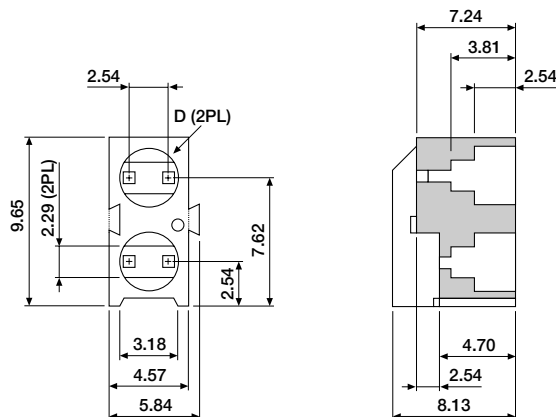


ORDERING INFORMATION

BIV-6210-0000	D = Ø3.35, individual
BIV-6211-0000	D = Ø3.81, individual
BIV-6210-1000	D = Ø3.35, right side locking
BIV-6211-1000	D = Ø3.81, right side locking
BIV-6210-2000	D = Ø3.35, both sides locking
BIV-6211-2000	D = Ø3.81, both sides locking
BIV-6210-3000	D = Ø3.35, left side locking
BIV-6211-3000	D = Ø3.81, left side locking

Contact sales office for LED holders assembled with LED's and see last pages of this section.

■ 3.00mm (T1), 2 level, individual and interlocking



ORDERING INFORMATION

BIV-6220-0000	D = Ø3.25, individual
BIV-6221-0000	D = Ø3.81, individual
BIV-6220-1000	D = Ø3.25, right side locking
BIV-6221-1000	D = Ø3.81, right side locking
BIV-6220-2000	D = Ø3.25, both sides locking
BIV-6221-2000	D = Ø3.81, both sides locking
BIV-6220-3000	D = Ø3.25, left side locking
BIV-6221-3000	D = Ø3.81, left side locking

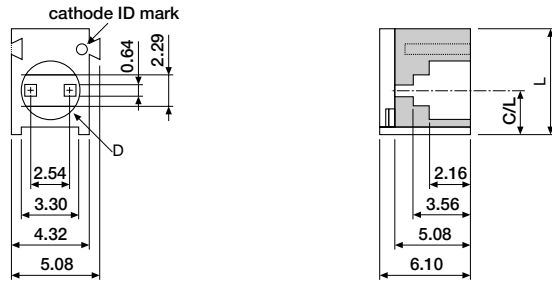
Contact sales office for LED holders assembled with LED's and see last pages of this section.



3.00mm LED Holders, 1 to 4 Levels

For 90° LED Mounting

■ 3.00mm (T1), individual and interlocking



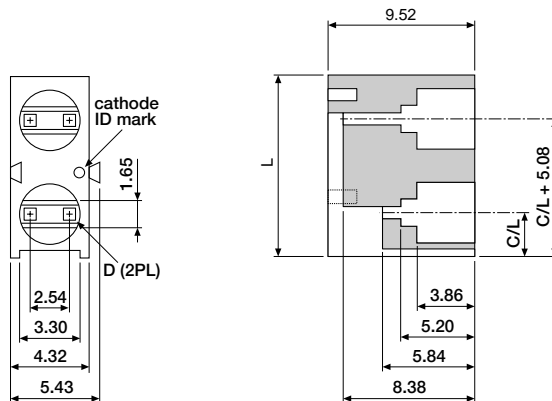
Contact sales office for LED holders assembled with LED's and see last pages of this section.

ORDERING INFORMATION

BIV-6230-0X00	D = Ø3.25, individual
BIV-6231-0X00	D = Ø3.81, individual
BIV-6230-1X00	D = Ø3.25, right side locking
BIV-6231-1X00	D = Ø3.81, right side locking
BIV-6230-2X00	D = Ø3.25, both sides locking
BIV-6231-2X00	D = Ø3.81, both sides locking
BIV-6230-3X00	D = Ø3.25, left side locking
BIV-6231-3X00	D = Ø3.81, left side locking

- 1 for L = 6.35, C/L = 3.05
- 2 for L = 6.86, C/L = 3.56
- 3 for L = 7.37, C/L = 4.06
- 4 for L = 7.87, C/L = 4.57

■ 3.00mm (T1), 2 level, individual and interlocking, double recessed



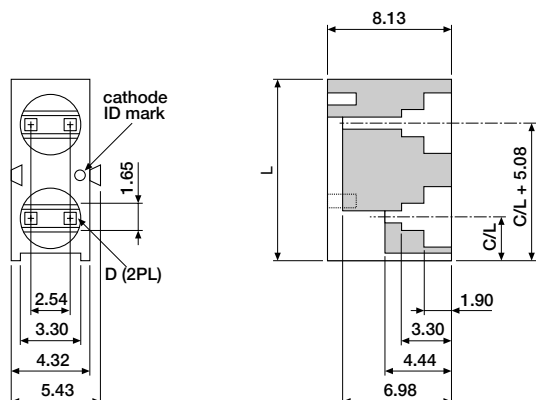
Contact sales office for LED holders assembled with LED's and see last pages of this section.

ORDERING INFORMATION

BIV-6240-0X00	D = Ø3.25, individual
BIV-6241-0X00	D = Ø3.81, individual
BIV-6240-1X00	D = Ø3.25, right side locking
BIV-6241-1X00	D = Ø3.81, right side locking
BIV-6240-2X00	D = Ø3.25, both sides locking
BIV-6241-2X00	D = Ø3.81, both sides locking
BIV-6240-3X00	D = Ø3.25, left side locking
BIV-6241-3X00	D = Ø3.81, left side locking

- 0 for L = 10.54, C/L = 2.54
- 1 for L = 11.05, C/L = 3.05
- 2 for L = 11.56, C/L = 3.56
- 3 for L = 12.07, C/L = 4.06
- 4 for L = 12.57, C/L = 4.57

■ 3.00mm (T1), 2 level, individual and interlocking



Contact sales office for LED holders assembled with LED's and see last pages of this section.

ORDERING INFORMATION

BIV-6250-0X00	D = Ø3.25, individual
BIV-6251-0X00	D = Ø3.81, individual
BIV-6250-1X00	D = Ø3.25, right side locking
BIV-6251-1X00	D = Ø3.81, right side locking
BIV-6250-2X00	D = Ø3.25, both sides locking
BIV-6251-2X00	D = Ø3.81, both sides locking
BIV-6250-3X00	D = Ø3.25, left side locking
BIV-6251-3X00	D = Ø3.81, left side locking

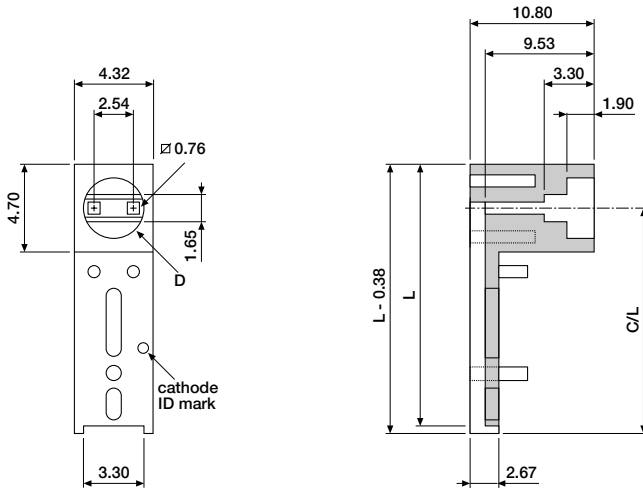
- 0 for L = 10.54, C/L = 2.54
- 1 for L = 11.05, C/L = 3.05
- 2 for L = 11.56, C/L = 3.56
- 3 for L = 12.07, C/L = 4.06
- 4 for L = 12.57, C/L = 4.57



3.00mm LED Holders, 1 to 4 Levels

For 90° LED Mounting

■ 3.00mm (T1), 3 level station, individual

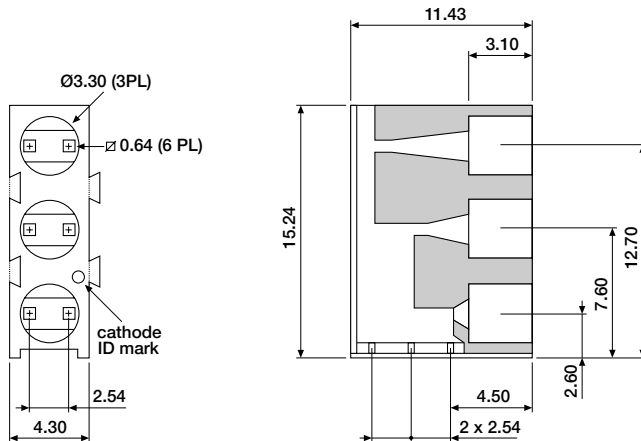


ORDERING INFORMATION

BIV-6250-9X00	D = Ø3.25, third station
BIV-6251-9X00	D = Ø3.81, third station
	0 for L = 15.24, C/L = 12.70
	1 for L = 15.75, C/L = 13.21
	2 for L = 16.26, C/L = 13.72
	3 for L = 16.76, C/L = 14.22
	4 for L = 17.27, C/L = 14.73

Contact sales office for LED holders assembled with LED's and see last pages of this section.

■ 3.00mm (T1), 3 level, individual and interlocking

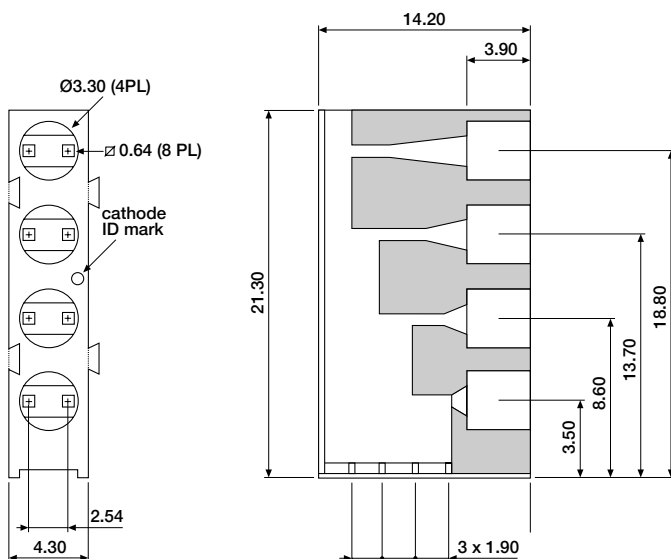


ORDERING INFORMATION

BIV-6260-0000	individual
BIV-6260-1000	right side locking
BIV-6260-2000	both sides locking
BIV-6260-3000	left side locking

Contact sales office for LED holders assembled with LED's and see last pages of this section.

■ 3.00mm (T1), 4 level, individual and interlocking



ORDERING INFORMATION

BIV-6270-0000	individual
BIV-6270-1000	right side locking
BIV-6270-2000	both sides locking
BIV-6270-3000	left side locking

Contact sales office for LED holders assembled with LED's and see last pages of this section.