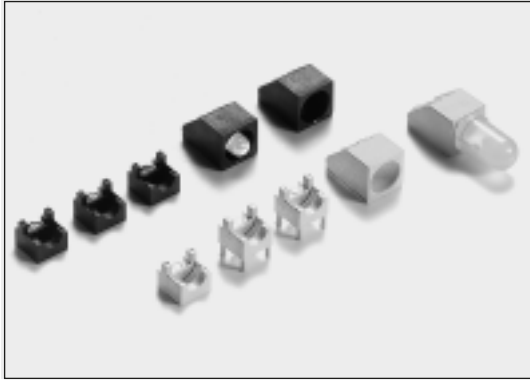




5.00mm LED Holders

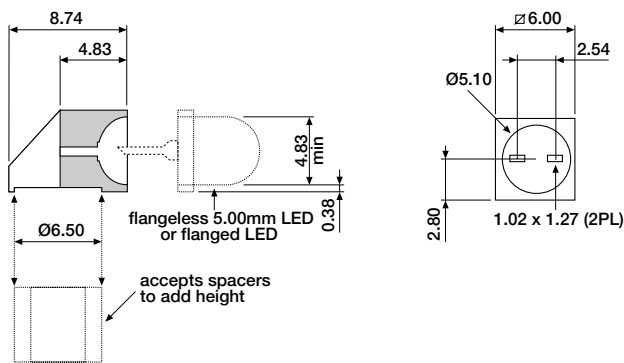
For 90° LED Mounting



The 90° LED holders provide an immediate and economic answer to single mounting of virtually all LED types.

Material : Nylon, UL 94V-2
Colour : Black or Natural
Tolerances : All Dimensions $\pm 0.13\text{mm}$

■ 5.00mm (T1 $\frac{3}{4}$), individual, flanged or flangeless

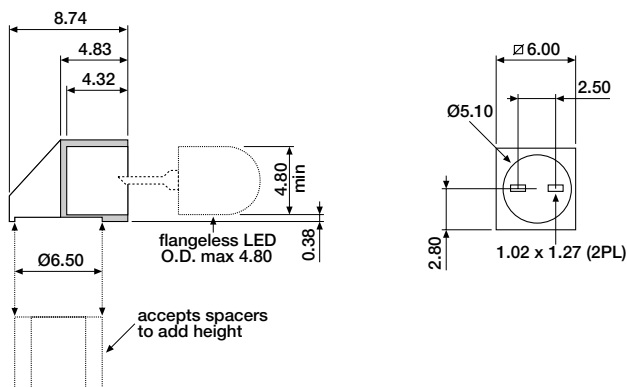


ORDERING INFORMATION

BIV-6700-0000 black
BIV-6700-0009 natural

Contact sales office for LED holders assembled with LED's and see last pages of this section.

■ 5.00mm (T1 $\frac{3}{4}$), individual, flangeless



ORDERING INFORMATION

BIV-6800-0000 black
BIV-6800-0009 natural

Contact sales office for LED holders assembled with LED's and see last pages of this section.