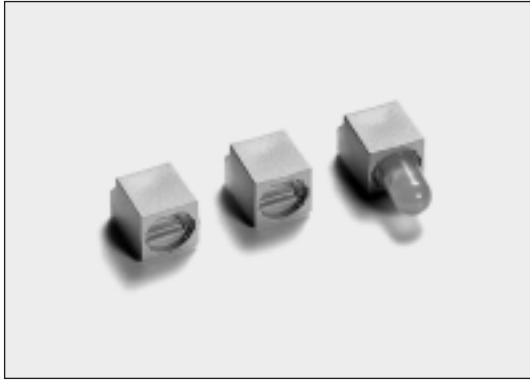




# Multi-Functional LED Holders

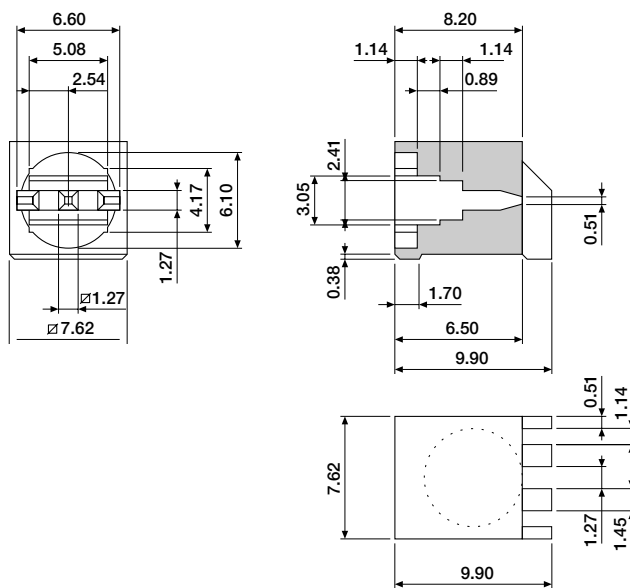
## For 90° LED Mounting



This multi-functional, rectangular, 3 ledged LED holder can be used for rectangular LED's with dimensions 5.10 x 4.20mm, 5.10 x 3.00 mm, 5.10 x 2.40mm and the 5.00mm (T1<sup>3</sup>/<sub>4</sub>) round flanged LED.

Material : Nylon, UL 94V-2  
Colour : Natural  
Tolerances : All dimensions  $\pm 0.13$ mm

### ■ Multi-functional model



### ORDERING INFORMATION

**BIV-6650-0000**

Contact sales office for LED holders assembled with LED's and see last pages of this section.