



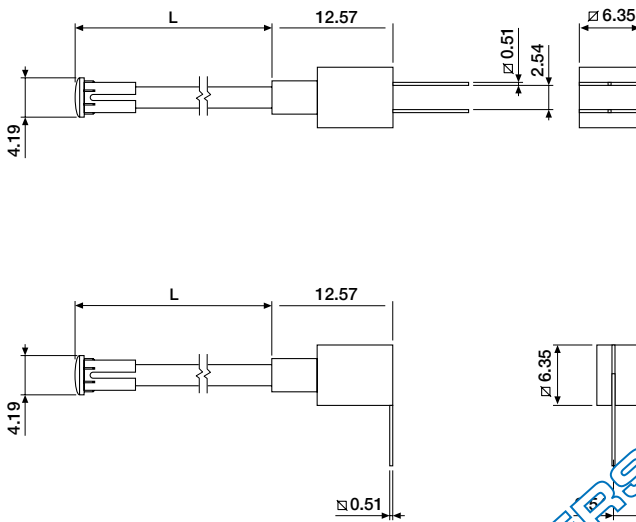
Light Pipes

Flexible



These revolutionary proprietary flexible light pipes allow the ultimate in design flexibility. SMD or through hole LED's can be positioned anywhere on the PCB and still provide a bright high contrast front panel indicator. Two piece design, indicator and light pipe press fit together assuring tight retention and shock resistance.

■ PCB light assembly including LED



ORDERING INFORMATION

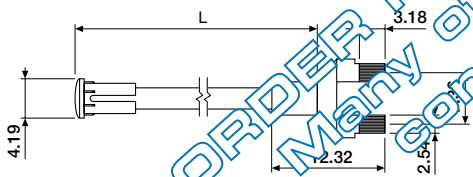
BLP-8110-XXXX-XX00* straight
 BLP-8210-XXXX-XX00* right-angle

- 21 = super red
- 22 = HE red
- 30 = amber
- 40 = yellow
- 41 = super yellow
- 50 = green
- 60 = blue

0025 for L = 63.50mm, (min. length)
 9840 for L = 25mm, (max. length)

*For each increment of 25.40mm the four digits where the length can be specified must be increased by 10.

■ PCB light pipe for SM LED

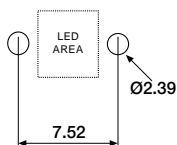


ORDERING INFORMATION

BLP-8310-XXXX straight

0025 for L = 63.50mm, (min. length)
 0480 for L = 25mm, (max. length)

*For each increment of 25.40mm the four digits where the length can be specified must be increased by 10.



ORDER NUMBERS CHANGED
Many other models added
contact sales office



■ Application diagram

