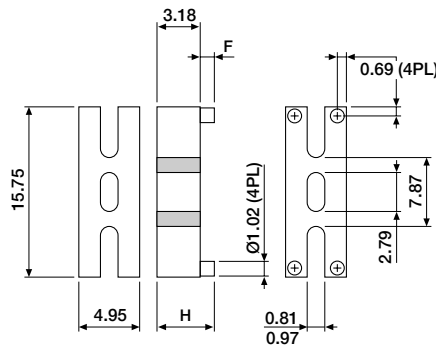


These mounts protect components from shock and vibration with resilient, shock absorbing, vibration damping mounting, from high temperatures during soldering, by spacing with a heat buffering fixture and keeping lead origins away from all solder. Protect component seals, by minimizing or eliminating bends, stresses and strains at lead origins and by increasing lead lengths to reduce heat flow. Most mounts have countersunk holes or slots to minimise lead bending. They prevent operational overheating by providing adequate air space and lead length, for heat dissipation. They prevent short circuiting, bridging and moisture build-up by elevating and insulating components and acting as lead aligning jigs.

Material : Nylon, UL 94V-2  
: PVC, UL 94V-0  
Colours : White or Black (Nylon), Natural (PVC)  
Tolerances : All Dimensions  $\pm 0.13\text{mm}$

### ■ General purpose mount

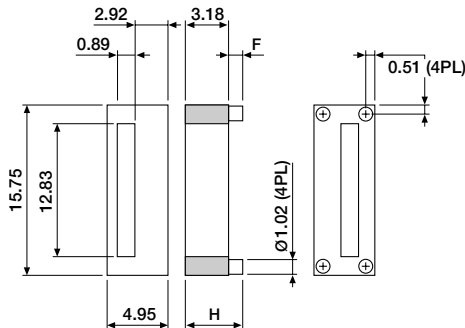


#### ORDERING INFORMATION

BIV-4000-0000	H = 3.18mm, F = 0.00mm
BIV-4000-0001	H = 3.81mm, F = 0.64mm
BIV-4000-0002	H = 4.45mm, F = 1.27mm
BIV-4000-0003	H = 5.08mm, F = 1.91mm

Colour: black

### ■ TO-219 mount

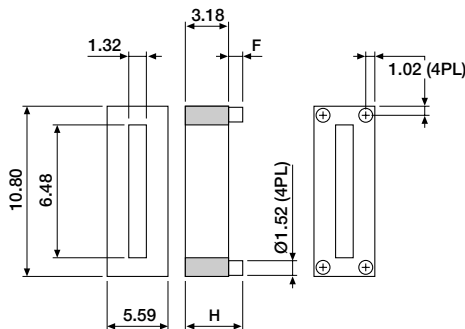


#### ORDERING INFORMATION

BIV-4010-0000	H = 3.18mm, F = 0.00mm
BIV-4010-0001	H = 3.81mm, F = 0.64mm
BIV-4010-0002	H = 4.45mm, F = 1.27mm
BIV-4010-0003	H = 5.08mm, F = 1.91mm

Colour: black

### ■ TO-202 mount



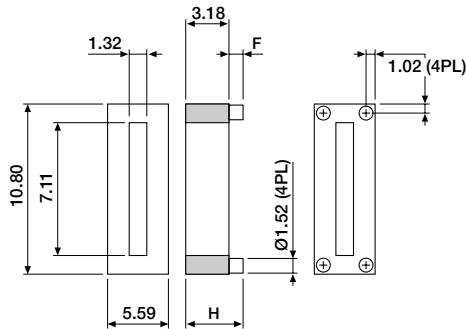
#### ORDERING INFORMATION

BIV-4020-0000	H = 3.18mm, F = 0.00mm
BIV-4020-0001	H = 3.81mm, F = 0.64mm
BIV-4020-0002	H = 4.45mm, F = 1.27mm
BIV-4020-0003	H = 5.08mm, F = 1.91mm

Colour: black



### ■ TO-220 mount

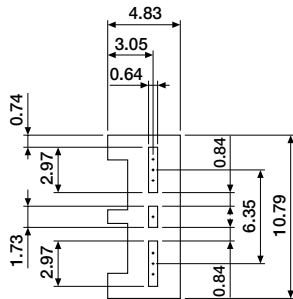


#### ORDERING INFORMATION

BIV-4030-0000	H = 3.18mm, F = 0.00mm
BIV-4030-0001	H = 3.81mm, F = 0.64mm
BIV-4030-0002	H = 4.45mm, F = 1.27mm
BIV-4030-0003	H = 5.08mm, F = 1.91mm

Colour: white

### ■ General purpose mount (extruded)



#### ORDERING INFORMATION

V-4 XXX\*

0060	for H = 0.76mm (min. height)
1500	for H = 19.05mm (max. height)
4010	for H = 1.00mm (min. height)
4190	for H = 19.00mm (max. height)

**OBSOLETE**

\*For each increment of 0.127mm (order No. ending with 0060 to 1500) or 1.00mm (order No. ending with 4010 to 4190) the last four digits of the order number must be increased by 10.

Colour: natural