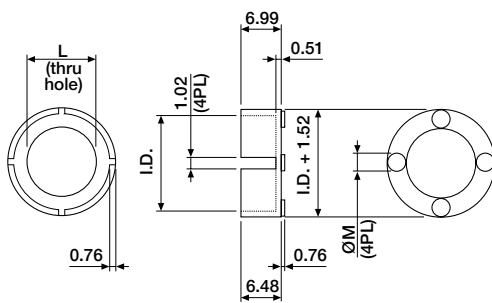


These mounts protect components from shock and vibration with resilient shock absorbing, vibration damping mounting, from high temperatures during soldering by spacing with a heat buffering fixture and keeping lead origins away from all solder. Prevent short circuiting, bridging and moisture built by elevating insulating components.

Material : Nylon, UL 94V-2 (mounts)
: Dupont Mylar (insulators)
Colours : White or Natural
Tolerances : All Dimensions $\pm 0.13\text{mm}$

■ Electrolytic capacitor mount

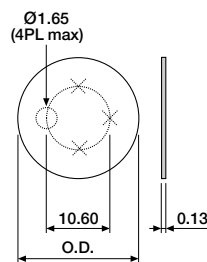


ORDERING INFORMATION

BIV-4040-0000	I.D. = 5.77mm, L = 3.18mm, M = 1.52mm
BIV-4040-0001	I.D. = 6.93mm, L = 3.81mm, M = 1.78mm
BIV-4040-0002	I.D. = 8.76mm, L = 5.72mm, M = 1.78mm
BIV-4040-0003	I.D. = 10.77mm, L = 6.35mm, M = 2.54mm
BIV-4040-0004	I.D. = 13.77mm, L = 8.89mm, M = 2.67mm
BIV-4040-0005	I.D. = 16.76mm, L = 8.89mm, M = 2.67mm
BIV-4040-0006	I.D. = 18.75mm, L = 8.89mm, M = 2.67mm
BIV-4040-0007	I.D. = 20.75mm, L = 11.40mm, M = 3.00mm
BIV-4040-0008	I.D. = 22.76mm, L = 11.40mm, M = 3.00mm
BIV-4040-0009	I.D. = 25.76mm, L = 13.89mm, M = 3.51mm
BIV-4040-0010	I.D. = 26.16mm, L = 11.40mm, M = 3.00mm
BIV-4040-0011	I.D. = 30.73mm, L = 11.40mm, M = 3.00mm
BIV-4040-0012	I.D. = 35.81mm, L = 11.40mm, M = 3.00mm

Colour: natural

■ Capacitor-insulator



ORDERING INFORMATION

BIV-4100-0000	O.D. = 18.03mm
BIV-4100-0001	O.D. = 21.08mm