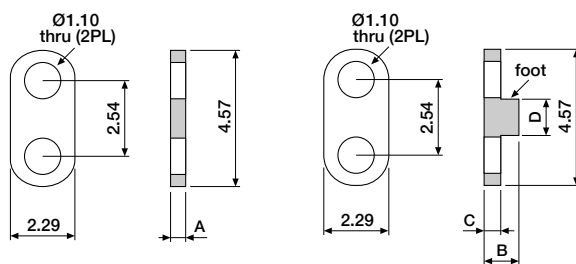




These mounts protect components from shock and vibration with resilient shock absorbing, vibration damping mounting, from high temperatures during soldering by spacing with a heat buffering fixture and keeping lead origins away from all solder. Prevent short circuiting, bridging and moisture built by elevating insulating components

Material : Nylon, UL 94V-2
Tolerances : All Dimensions $\pm 0.13\text{mm}$

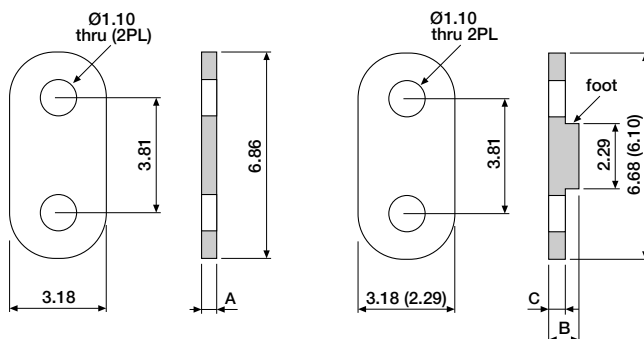
Series 0800



ORDERING INFORMATION

BIV-0800-0000	A = 0.56
BIV-0800-0001	B = 0.76, C = 0.28, D = 1.27
BIV-0800-0002	B = 1.14, C = 0.56, D = 1.27
BIV-0800-0003	B = 1.91, C = 0.56, D = 1.40

Series 0810

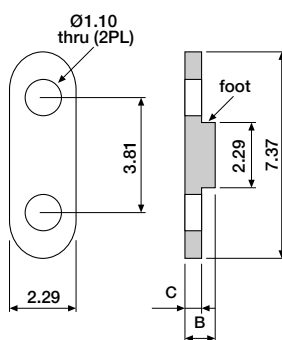


ORDERING INFORMATION

BIV-0810-0000	A = 0.56
BIV-0810-0001	B = 0.76, C = 0.28
BIV-0810-0002	B = 1.02, C = 0.56
BIV-0810-0003	B = 1.14, C = 0.56
BIV-0810-0004	B = 1.14, C = 0.56

Dimension between () is for model BIV-0810-0004

Series 0820

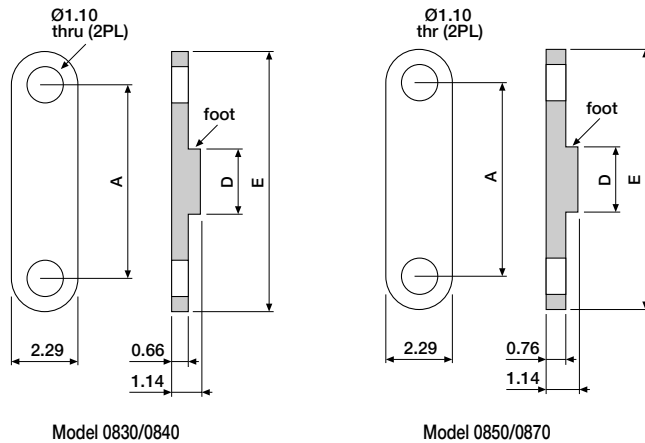


ORDERING INFORMATION

BIV-0820-0000	B = 0.76, C = 0.28
BIV-0820-0001	B = 1.02, C = 0.56
BIV-0820-0002	B = 1.14, C = 0.56



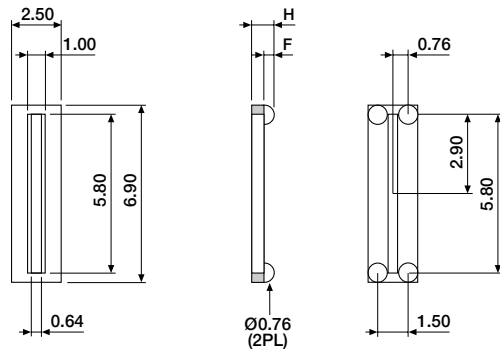
■ Series 0830 to 0870



ORDERING INFORMATION

BIV-0830-0000	A = 6.35, D = 2.29, E = 8.64
BIV-0840-0000	A = 7.62, D = 3.56, E = 9.91
BIV-0850-0000	A = 8.89, D = 3.56, E = 11.18
BIV-0860-0000	A = 10.16, D = 4.83, E = 12.45
BIV-0870-0000	A = 12.70, D = 4.83, E = 14.99

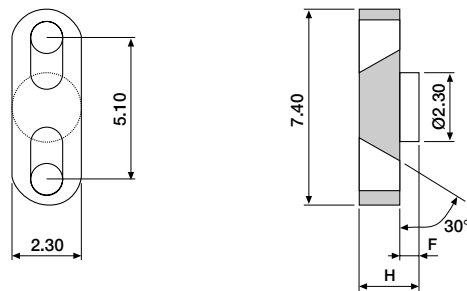
■ Series 0700



ORDERING INFORMATION

BIV-0700-0000	H = 0.64, F = 0.00
BIV-0700-0001	H = 1.27, F = 0.64
BIV-0700-0002	H = 1.91, F = 1.27

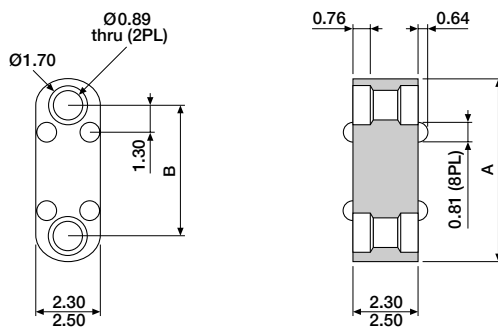
■ Series 0710



ORDERING INFORMATION

BIV-0710-0000	H = 1.27, F = 0.00
BIV-0710-0001	H = 1.83, F = 0.56
BIV-0710-0002	H = 2.16, F = 0.89

■ Series 0720



ORDERING INFORMATION

BIV-0720-0000	A = 7.62, B = 5.08
BIV-0720-0001	A = 8.89, B = 6.35
BIV-0720-0002	A = 10.16, B = 7.62
BIV-0720-0003	A = 11.43, B = 8.89
BIV-0720-0004	A = 12.70, B = 10.16
BIV-0720-0005	A = 15.24, B = 12.70