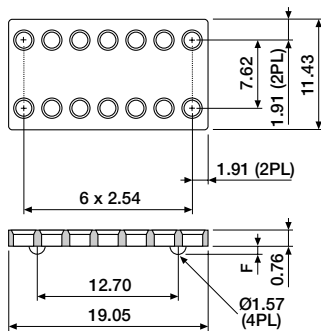


These mounts protect components from shock and vibration with resilient, shock absorbing, vibration damping mounting, from high temperatures during soldering, by spacing with a heat buffering fixture and keeping lead origins away from all solder. Protect component seals, by minimizing or eliminating bends, stresses and strains at lead origins and by increasing lead lengths to reduce heat flow. Most mounts have countersunk holes or slots to minimise lead bending. They prevent operational overheating by providing adequate air space and lead length, for heat dissipation. They prevent short circuiting, bridging and moisture build-up by elevating and insulating components and acting as lead aligning jigs.

Material : Nylon, UL 94V-2  
 Colours : White, Natural or as specified  
 Tolerances : All Dimensions  $\pm 0.13\text{mm}$

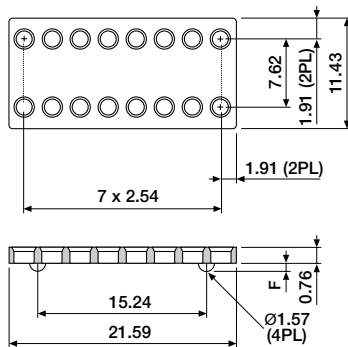
### ■ Dual in-line mount, series 0600



#### ORDERING INFORMATION

BIV-0600-0000	F = 0.00 (natural)
BIV-0600-0001	F = 0.38 (black)
BIV-0600-0002	F = 0.76 (natural)
BIV-0600-0003	F = 1.27 (natural)
BIV-0600-0004	F = 1.78 (black)

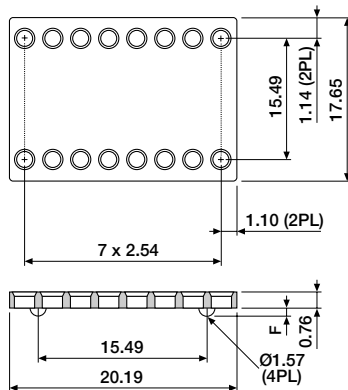
### ■ Dual in-line mount, series 0610



#### ORDERING INFORMATION

BIV-0610-0000	F = 0.00 (black)
BIV-0610-0001	F = 0.38 (black)
BIV-0610-0002	F = 0.76 (natural)
BIV-0610-0003	F = 1.27 (black)
BIV-0610-0004	F = 1.78 (black)

### ■ Dual in-line mount, series 0620

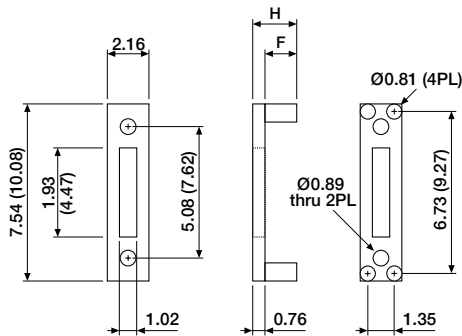


#### ORDERING INFORMATION

BIV-0620-0000	F = 0.00 (black)
BIV-0620-0001	F = 0.38 (black)
BIV-0620-0002	F = 0.76 (black)
BIV-0620-0003	F = 1.27 (black)
BIV-0620-0004	F = 1.78 (black)



### ■ Single in-line mount, series 0900 to 0910

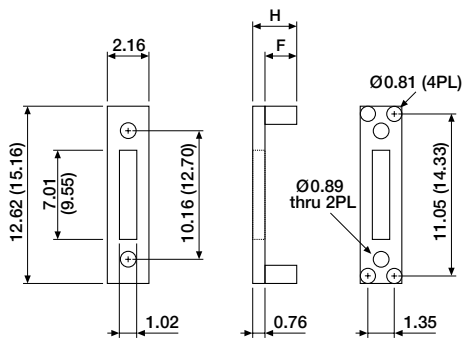


#### ORDERING INFORMATION

BIV-0900-0000	H = 0.76, F = 0.00
BIV-0900-0001	H = 1.52, F = 0.76
BIV-0900-0002	H = 2.29, F = 1.52
BIV-0910-0000	H = 0.76, F = 0.00
BIV-0910-0001	H = 1.52, F = 0.76
BIV-0910-0002	H = 2.29, F = 1.52

Dimensions between () are for models BIV-0910-XXXX

### ■ Single in-line mount, series 0920 to 0930

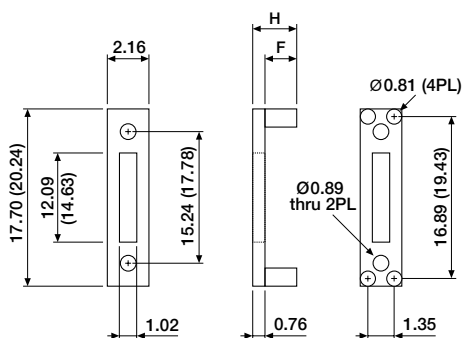


#### ORDERING INFORMATION

BIV-0920-0000	H = 0.76, F = 0.00
BIV-0920-0001	H = 1.52, F = 0.76
BIV-0920-0002	H = 2.29, F = 1.52
BIV-0930-0000	H = 0.76, F = 0.00
BIV-0930-0001	H = 1.52, F = 0.76
BIV-0930-0002	H = 2.29, F = 1.52

Dimensions between () are for models BIV-0930-XXXX

### ■ Single in-line mount, series 0940 to 0950



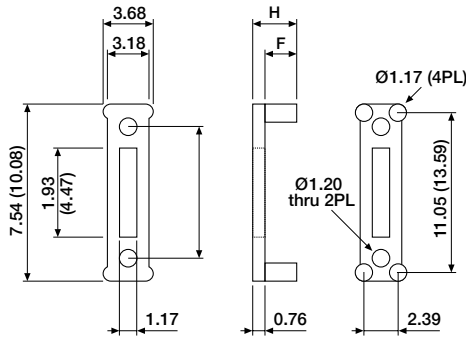
#### ORDERING INFORMATION

BIV-0940-0000	H = 0.76, F = 0.00
BIV-0940-0001	H = 1.52, F = 0.76
BIV-0940-0002	H = 2.29, F = 1.52
BIV-0950-0000	H = 0.76, F = 0.00
BIV-0950-0001	H = 1.52, F = 0.76
BIV-0950-0002	H = 2.29, F = 1.52

Dimensions between () are for models BIV-0950-XXXX



### ■ Single in-line mount, series 1000 to 1010

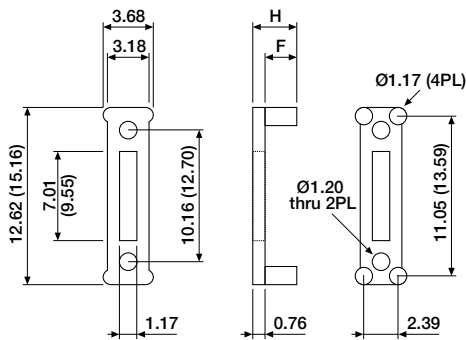


#### ORDERING INFORMATION

BIV-1000-0000	H = 0.76, F = 0.00
BIV-1000-0001	H = 1.52, F = 0.76
BIV-1000-0002	H = 2.29, F = 1.52
BIV-1010-0000	H = 0.76, F = 0.00
BIV-1010-0001	H = 1.52, F = 0.76
BIV-1010-0002	H = 2.29, F = 1.52

Dimensions between () are for models BIV-1010-XXXX

### ■ Single in-line mount, series 1020 to 1030

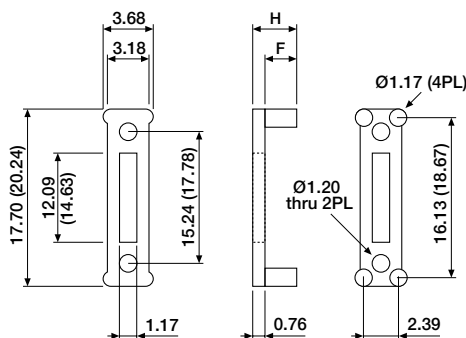


#### ORDERING INFORMATION

BIV-1020-0000	H = 0.76, F = 0.00
BIV-1020-0001	H = 1.52, F = 0.76
BIV-1020-0002	H = 2.29, F = 1.52
BIV-1030-0000	H = 0.76, F = 0.00
BIV-1030-0001	H = 1.52, F = 0.76
BIV-1030-0002	H = 2.29, F = 1.52

Dimensions between () are for models BIV-1030-XXXX

### ■ Single in-line mount, series 1040 to 1050



#### ORDERING INFORMATION

BIV-1040-0000	H = 0.76, F = 0.00
BIV-1040-0001	H = 1.52, F = 0.76
BIV-1040-0002	H = 2.29, F = 1.52
BIV-1050-0000	H = 0.76, F = 0.00
BIV-1050-0001	H = 1.52, F = 0.76
BIV-1050-0002	H = 2.29, F = 1.52

Dimensions between () are for models BIV-1050-XXXX