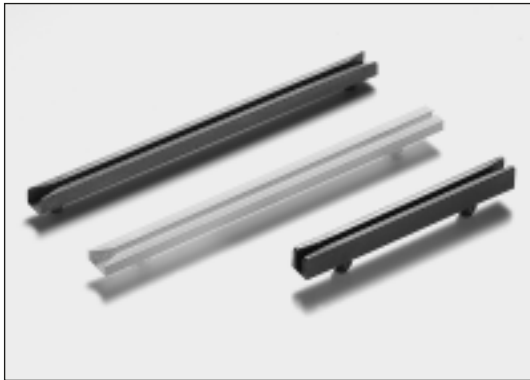




# Rack and Panel Card Guides, Interchangeable

## For 1.60mm PCB's



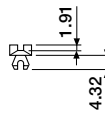
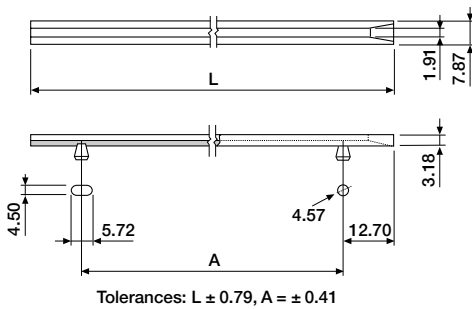
Designed specifically to allow second sourcing of many existing card guides supplied by other manufacturers. Pylon spacing and sizes to fit particular hole sizes allow for complete interchangeability and additional, intermediate sizes are newly available, expanding user choice to 39 different configurations. All card guides can be supplied with a stainless steel card insert for EMI/RFI protection.

Panel Thickness : 1.19 to 2.29mm

Material : 6/6 Nylon, UL 94V-2

Colour : Natural

### ■ Series 2600



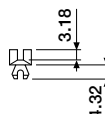
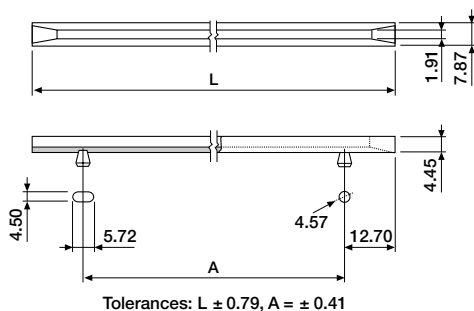
#### ORDERING INFORMATION

**BIV-261X-0900** L = 114.30mm, A = 76.20mm  
**BIV-260X-XXXX\*** A = L - 25.4mm

- 0500 for L = 63.50mm (min. Length)
- 1600 for L = 203.20mm (max. Length)
- 0 = standard
- 5 = with stainless steel insert

\*For each increment of 12.70mm the last four digits of the order number must be increased by 100.

### ■ Series 2700



#### ORDERING INFORMATION

**BIV-270X-XXXX\*** A = L - 25.4mm

- 0500 for L = 63.50mm (min. Length)
- 1600 for L = 203.20mm (max. Length)
- 0 = standard
- 5 = with stainless steel insert

\*For each increment of 12.70mm the last four digits of the order number must be increased by 100.

Note : Slotting or elongating of second and third mounting holes is recommended to allow for length variations in molding and assembly ease