



Vertical Card Guides

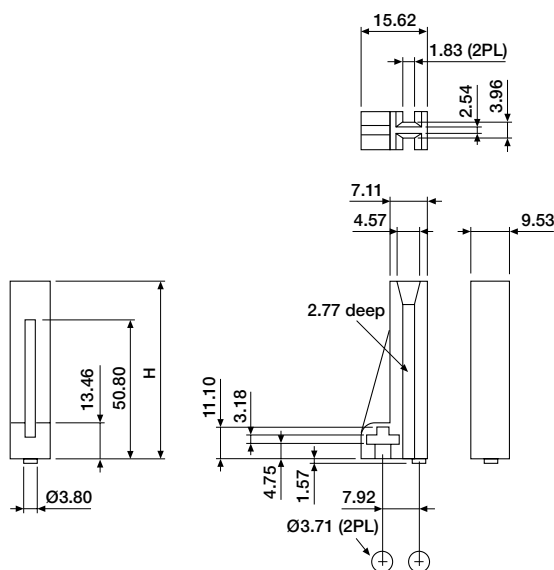
For 1.60mm, 2.40mm and 3.20mm PCB's



A wide selection of three styles to accommodate various board sizes allows for connector mounting, paired mounting and gang or tandem mounting. The use of standard fasteners simplifies mounting. No special tooling is required and spacing options are virtually unlimited.

Material : Glass reinforced Nylon, UL 94V-0
Colour : Black
Tolerances : All Dimensions $\pm 0.13\text{mm}$

■ Double sided



PCB Thickness = 1.60mm

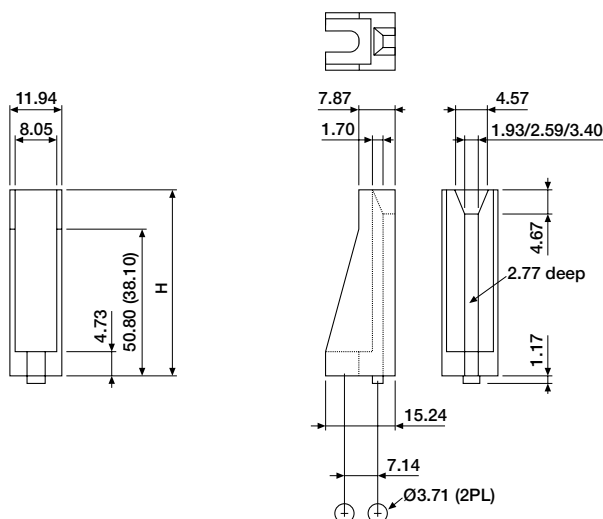
ORDERING INFORMATION

BIV-3510-XXXX*

0600 for H = 76.20mm (min. height)
1200 for H = 152.40mm (max. height)

*For each increment of 12.70mm the last four digits of the order number must be increased by 100.

■ Single sided



Tops of guides slightly converge to grip board
Dimension between () is for length 0400 (59.80mm) and 0500 (63.00mm) only.

ORDERING INFORMATION

BIV-3520-XXXX*

for PCB thickness 1.60mm

BIV-3530-XXXX*

for PCB thickness 2.40mm

BIV-3540-XXXX*

for PCB thickness 3.20mm

0400 for H = 50.80mm (min. height)
1200 for H = 152.40mm (max. height)

*For each increment of 12.70mm the last four digits of the order number must be increased by 100. Heights 0400 and 0500 are not available for models with 2.40 and 3.40mm thickness.