



# Vertical Card Guides

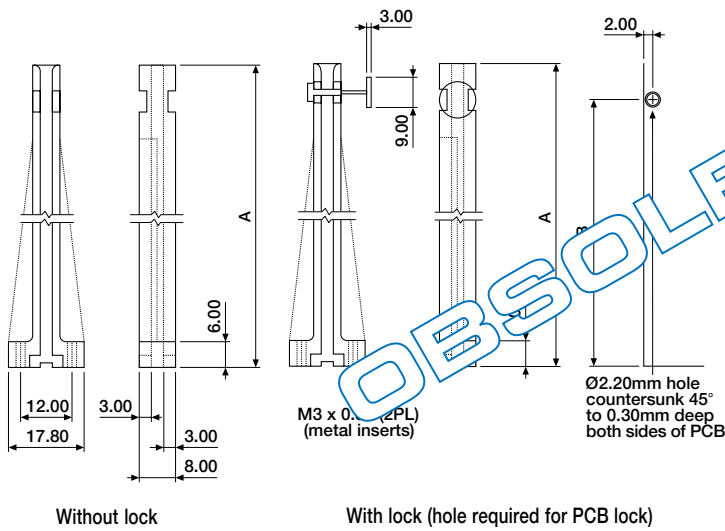
## With or Without Push-Button Lock



Card guides for vertical mounting with integrally moulded metal threaded M3 inserts and with a unique push-button lock option. Anti-vibration features in the card slots prevent sideways movement of the PCB. All models have, at both sides, guide grooves and have a v-shape PCB entry for easy loading.

Material : Polyamide UL94V-0

### Model with metal female inserts



#### ORDERING INFORMATION

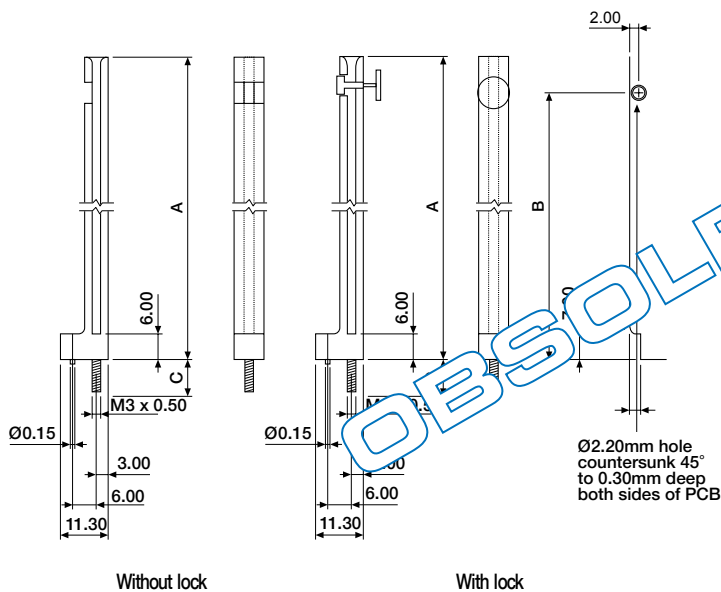
CDG-10PM-X000	A = 65.00, B = 56.00
CDG-11PM-X000	A = 90.00, B = 81.50
CDG-12PM-X000	A = 120.00, B = 112.00
CDG-13PM-X000	A = 135.00, B = 126.00
CDG-14PM-X000	A = 160.00, B = 112.00

0 = without lock  
1 = with lock

All A and B dimensions ± 0.50mm

Dotted line (-----) applies for model CDG-12PM-0000/1000

### Model with metal male inserts



#### ORDERING INFORMATION

CDG-20PM-X000	A = 70.00, B = 62.00, C = 5.50
CDG-21PM-X000	A = 100.00, B = 91.50, C = 9.00

0 = without lock  
1 = with lock

All A and B dimensions ± 0.50mm