



PCB Insertors, Extractors and Handles

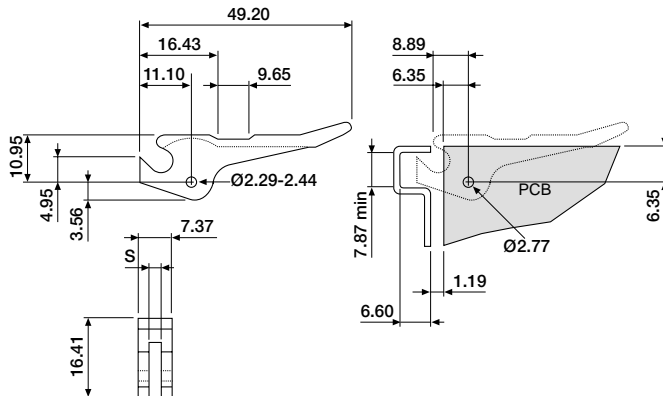
For 1.60mm, 2.40mm and 3.20mm PCB's



Designed to solve tough insertion/extraction problems associated with large PCB's and tight gripping multi-pin edge connectors, the inserter/extractors are particularly strong. They use a cam type in/out action and have leverages up to 4:1. Easy to use and install for damage-free insertions and extractions, PCB's, components, circuitry and connectors are protected from undue stresses.

Material : 6/6 Nylon, UL 94V-2
 30% Glass-filled and UL94V-0 for series 3110
 Colour : Black or Natural

Series 3100

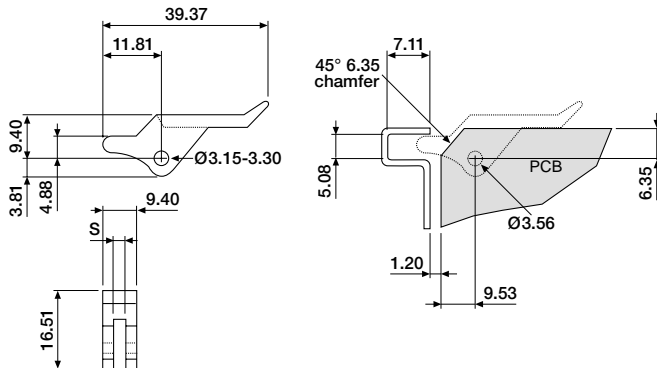


ORDERING INFORMATION

BIV-3100-0000 S = 1.91 for 1.60mm PCB
 BIV-3101-0000 S = 2.54 for 2.40mm PCB
 BIV-3102-0000 S = 3.56 for 3.20mm PCB

Colour: black or natural

Series 3120

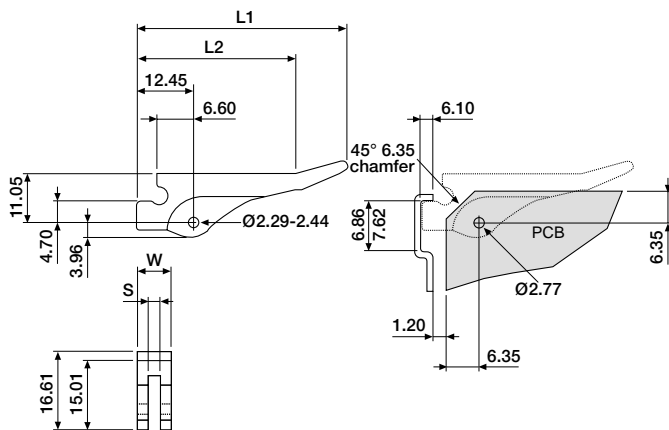


ORDERING INFORMATION

BIV-3120-0000 S = 1.91 for 1.60mm PCB
 BIV-3121-0000 S = 2.54 for 2.40mm PCB
 BIV-3122-0000 S = 3.56 for 3.20mm PCB

Colour: black or natural

Series 3130/3140



ORDERING INFORMATION

BIV-3130-0000 W = 7.37, L1 = 50.80
 BIV-3130-1000 W = 8.89, L1 = 50.80
 BIV-314X-0000 W = 7.37, L2 = 38.10
 BIV-314X-1000 W = 8.89, L2 = 38.10

0 for S = 1.91mm for 1.60mm PCB
 1 for S = 2.54mm for 2.40mm PCB
 2 for S = 3.56mm for 3.20mm PCB

Dimension W = 7.37mm only applies for PCB thickness of 1.60mm.
 Colour: black or natural

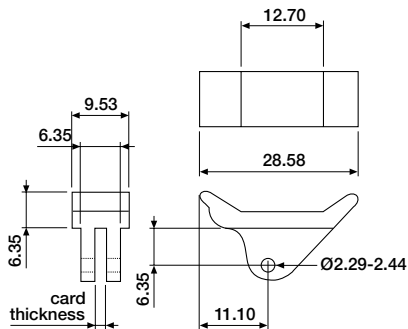
Note : With each inserter/extractor, stainless steel spring pins are included.



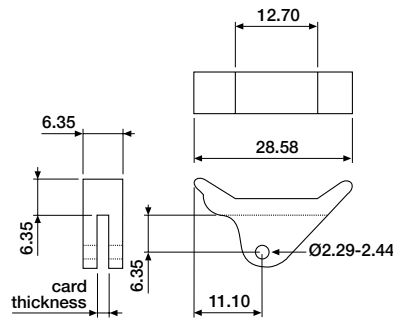
PCB Insertors, Extractors and Handles

For 1.60mm, 2.40mm and 3.20mm PCB's

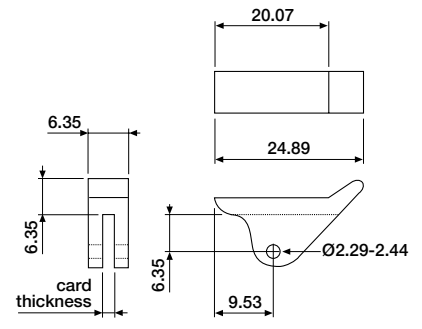
■ Series 3150/3320



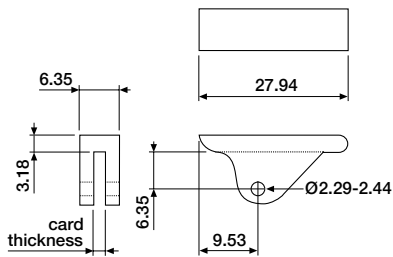
BIV-3150-0000 (1.60mm PCB)
BIV-3151-0000 (2.40mm PCB)



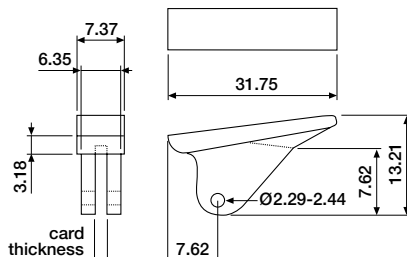
BIV-3160-0000 (1.60mm PCB)
BIV-3161-0000 (2.40mm PCB)



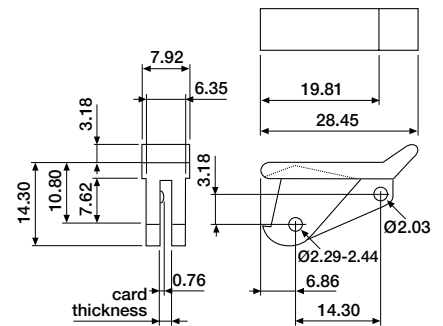
BIV-3170-0000 (1.60mm PCB)
BIV-3171-0000 (2.40mm PCB)



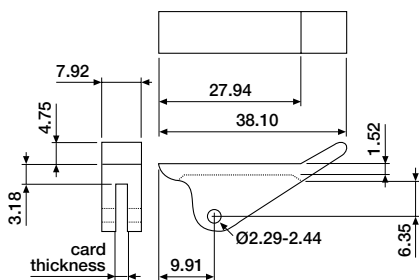
BIV-3180-0000 (1.60mm PCB)
BIV-3181-0000 (2.40mm PCB)



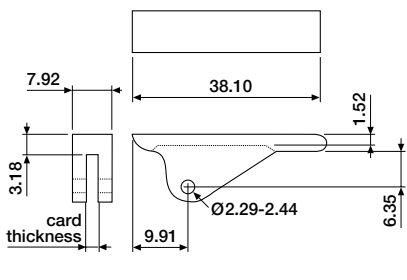
BIV-3190-0000 (1.60mm PCB)
BIV-3191-0000 (2.40mm PCB)



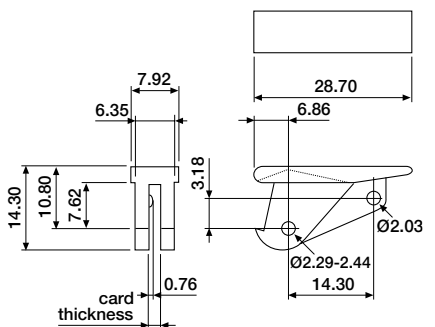
BIV-3200-0000 (1.60mm PCB)



BIV-3210-0000 (1.60mm PCB)
BIV-3211-0000 (2.40mm PCB)
BIV-3212-0000 (3.20mm PCB)



BIV-3220-0000 (1.60mm PCB)
BIV-3221-0000 (2.40mm PCB)
BIV-3222-0000 (3.20mm PCB)



BIV-3230-0000 (1.60mm PCB)

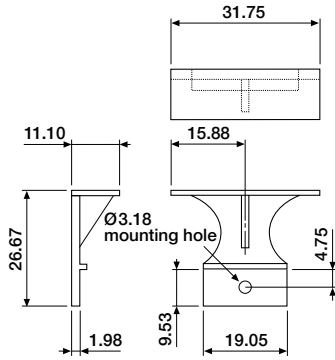
Note : With each inserter/extractor, stainless steel spring pins are included.



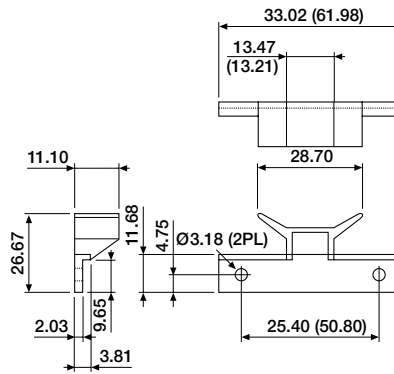
PCB Insertors, Extractors and Handles

For 1.60mm, 2.40mm and 3.20mm PCB's

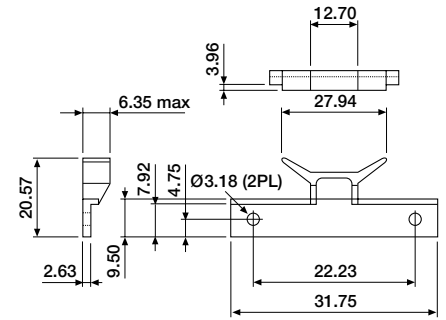
■ Series 3150



BIV-3300-0000



BIV-3310-0000
BIV-3311-0000 (Dim. between brackets)



BIV-3320-0000