



Hexagonal Threaded Spacers

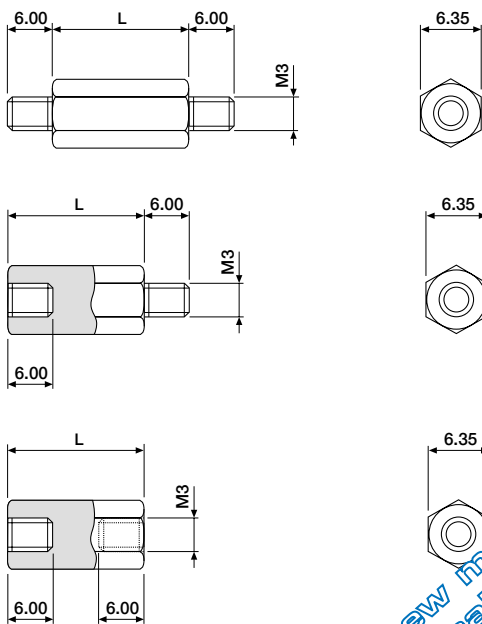
Polyamide with Brass Inserts



A range of hexagonal spacers made from polyamide with brass threaded, nickel plated inserts. Available thread sizes are M2.5, M3, M4, and M5. Other lengths are available against M.O.Q.

Colour : Natural

■ M3

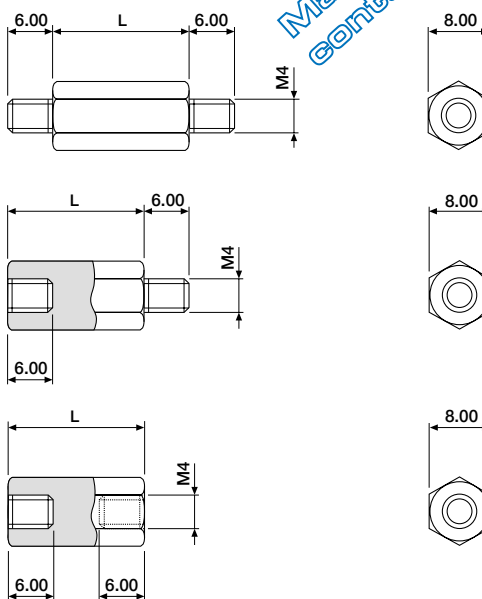


ORDERING INFORMATION

SPH-30MM-6430-XX male/male
SPH-30FM-6430-XX female/male
SPH-30FF-6430-XX female/female

available lengths: (L = mm)
Min. 15mm
Max. 65mm
Increment 1.0mm

■ M4



ORDERING INFORMATION

SPH-40MM-8030-XX male/male
SPH-40FM-8030-XX female/male
SPH-40FF-8030-XX female/female

available lengths: (L = mm)
Min. 15mm
Max. 65mm
Increment 1.0mm

Many new models have been added
contact sales office for datasheets