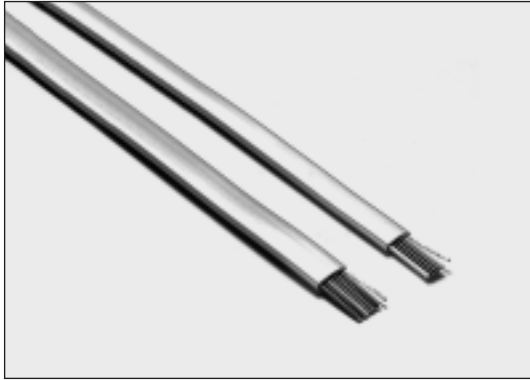




# Data and Telecommunication Cables

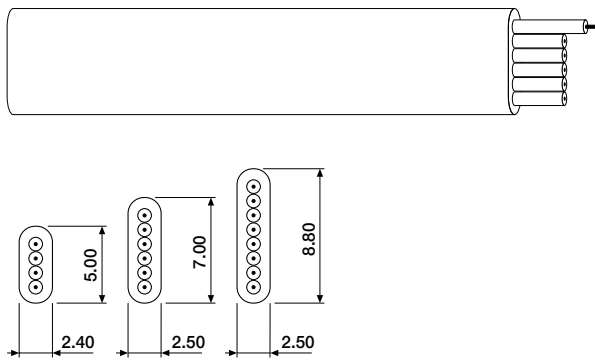
## For Modular Connectors



A range of flexible multi conductor cables, standard or as twisted pair, with or without copper braided shielding. Conductors are colour coded in accordance with the DIN 47100 specifications.

For more technical data, see chapter 15.

### ■ Unshielded



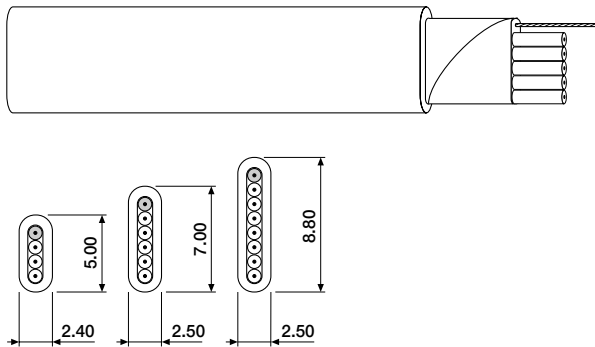
#### ORDERING INFORMATION

**DCU-XXST-0140** jacket color: black  
**DCU-XXST-0149** jacket color: white

available number of conductors:  
04, 06, 08, 10  
(10 conductor circuit not shown)

Previously series 994-XXX-XX-XX

### ■ Shielded



#### ORDERING INFORMATION

**DCS-XXST-0140** jacket color: silver-grey or black

available number of conductors:  
04, 06, 08, 10  
(10 conductor circuit not shown)

Previously series 994-514-XX-00

### ■ Colour coding

1 2 3 4 4 WAY (Black, Red, Green, Yellow)  
1 2 3 4 5 6 6 WAY (White, Black, Red, Green, Yellow, Blue)  
1 2 3 4 5 6 7 8 8 WAY (Green, Orange, Black, Red, Green, Yellow, Blue, Brown)

8-Way cable can be supplied with different colour coding